



# DLS SUPPORT

## Installation of speaker drivers in baffles.

DLS Svenska AB

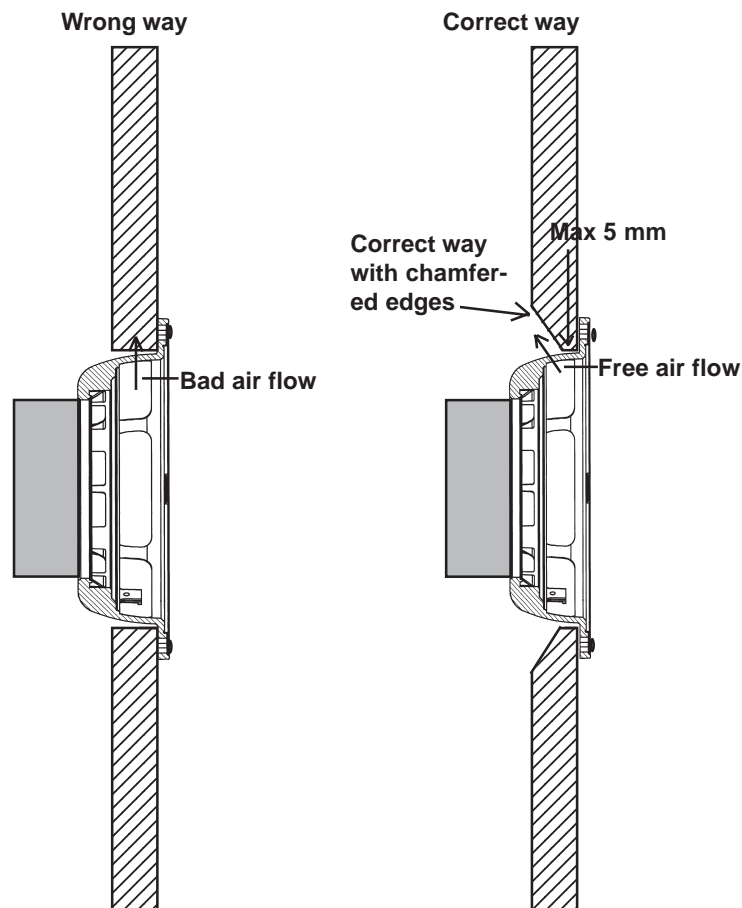
P.O.Box 13029

SE 402 51 Göteborg

Sweden

E-mail: [info@dls.se](mailto:info@dls.se)

[www.dls.se](http://www.dls.se)



It is very important that the baffle is stable, but it is just as important that it is shaped in a way that allows the driver to "breathe" backwards, otherwise there will be a lack in the drivers bass reproduction.