

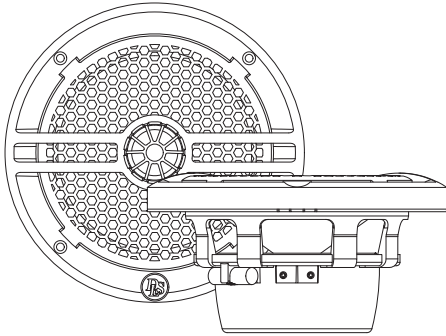
A6XW

User manual

Marine & Active sports 2-way coaxial



ALIVE



Welcome to DLS!

Thank you for purchasing the DLS Alive A6XW coaxial speakers. For us, it's all about the sound experience. We care deeply about sound and construction quality. In order for your experience to be as optimal as possible, it is important that you fully read this manual, preferably before you start your installation. Keep the manual in a safe and accessible place for future reference.

Your speakers must be installed correctly in order to work as intended. Make sure you have all necessary tools nearby before starting and that you are completely confident in how to proceed. If you feel the slightest uncertainty, feel free to take the help of an experienced installer or a car audio dealer.

Warranty

DLS speakers are covered by warranty, depending on the conditions in the country where it is sold. If the speaker is returned for service, please include the original dated receipt with the product.

DECLARATION OF CONFORMITY

DLS speakers are manufactured in accordance with the EU directive EEC 95/54 (72/245/ EEC) and are marked with the approval number. They are also marked in accordance with the WEEE-directive 2012/19/EC. The products are also produced in accordance with the EU RoHS directive 2015/863/EU.

DLS ALIVE A6XW

Content

Welcome	1
Included parts	2
Pre-installation	2
Safety	2
Installation	2
General installation	2
Custom baffle installation	3
Speaker connection	3
Running-in Time	3
WARNING	3
DLS Support	3
Wiring diagram	4
Specifications	5
Product Markings	7

DLS speakers are engineered by DLS Sweden,
a part of:

Winn Scandinavia AB

Elementvägen 15 - SE-702 27 Örebro - Sweden

Tel: +46 19 20 67 65 - E-mail: info@dls.se

www.dls.se

Designed & Sound tuned in Sweden.



Included parts

Included products:

2pcs DLS Alive A6XW coaxial speakers

Included in box:

8pcs stainless steel screws
1pc Hex key for speaker terminals
1pc Cut out template
1pc Manual

WARNING!

Before you drill any holes in your vessel, make sure you do not drill through the hull, a fuel tank, fuel line, wiring harness or other vital vessel system.

Protect all the wiring from sharp edges (metal, fibreglass, etc.) by carefully routing them, tying them down and using grommets & looms where it is suitable.

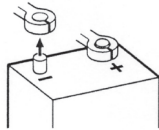
NOTE! Avoid an installation close to the vessel's magnetic compass, since the speaker magnets can influence the compass needle.

Pre-installation

Disconnect Battery

Before you start the process of replacing speakers, disconnect and secure the negative terminal from your battery/power source. This will prevent the risk of damaging yourself or the products.

Place the disconnected terminal in a secure and isolated location away from any possible connection belonging to the battery/power source system.



Installation

General installation

Choose a flat mounting surface that has sufficient depth and air space behind it to allow the speaker to work properly.

Cut a mounting hole for the speaker using the included template and a hole saw or jigsaw. Place the speaker in the mounting hole and mark the screw hole locations with a pen or a sharp pointed tool. Remove the speaker and drill a pilot hole in each of the marked screw hole locations.

Run the speaker cable from the amplifier output to the mounting location. Connect the speaker wires to the speakers and the amplifier (see page 4).

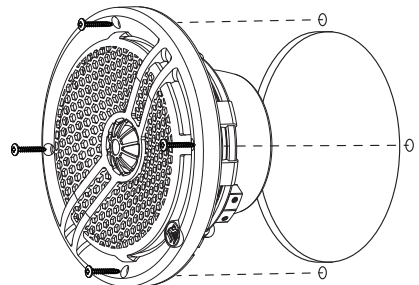
Place the speaker in the mounting hole and attach the speaker with the included screws in the pilot holes.

Safety

Safety considerations

The speakers must be installed in a manner that does not interfere with your vessel's factory installed electronic devices. Securely mount the speakers so they do not come loose in the event of a collision or a sudden jolt to the vessel.

NOTE! It is important to fasten the speakers properly in order to avoid bad sound or rattling. Install the speakers in a solid and stable panel to get the best sound quality.

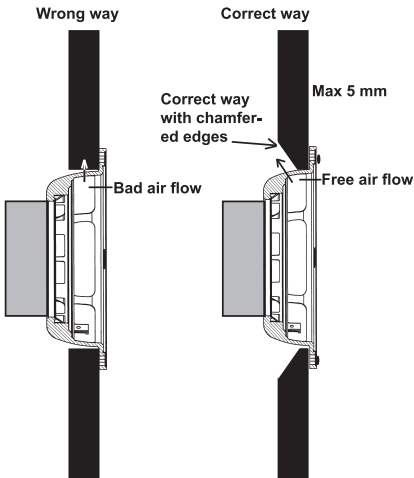




Custom baffle installation

Depending on where you plan to mount your new speakers, a custom baffle installation might be a better option to make sure that the speakers are safely secured and plays at optimal performance.

It is very important that the custom baffle are stable and fasten properly, but it is just as important that it's shaped in a way that the driver is allowed to "breathe" correctly. Bass reproduction will be enhanced when the air flow is free and not obstructed.



Running-in time

The marine speakers will perform at their best after around 15-20 hours of running-in time. The running-in time can be played with a tone, or by just playing music like usual.

Start your listening at a moderate level and increase the volume as time goes by. After 15-20 hours of listening the performance and characteristics will be as intended.

WARNING!

Mounting

While these speakers are designed to be water- and spray resistant (class IP65), they are not designed to be submerged or to withstand high-pressure water spray. Please exercise care when washing your vehicle to avoid damaging your speakers. Do not install on submersible parts of watercrafts.

Integrated tweeter

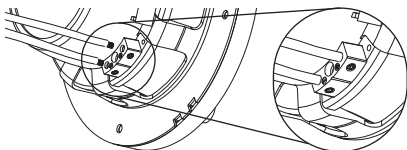
The tweeter is permanently fixed to the grille and its wiring is permanently attached to the speaker frame. Attempting to remove the grille or the tweeter will damage the speaker and this damage will not be covered under warranty.

Do not attempt to remove the tweeter from the grille or the grille from the speaker!

Speaker connection

Make sure you connect the cables with correct polarity on the speaker terminals. Observe the markings and size differences on the connectors.

The DLS Alive A6XW speakers are equipped with Marine grade connection terminals. Please note that the used speaker cables should have bare cable ends attached directly into the terminal.

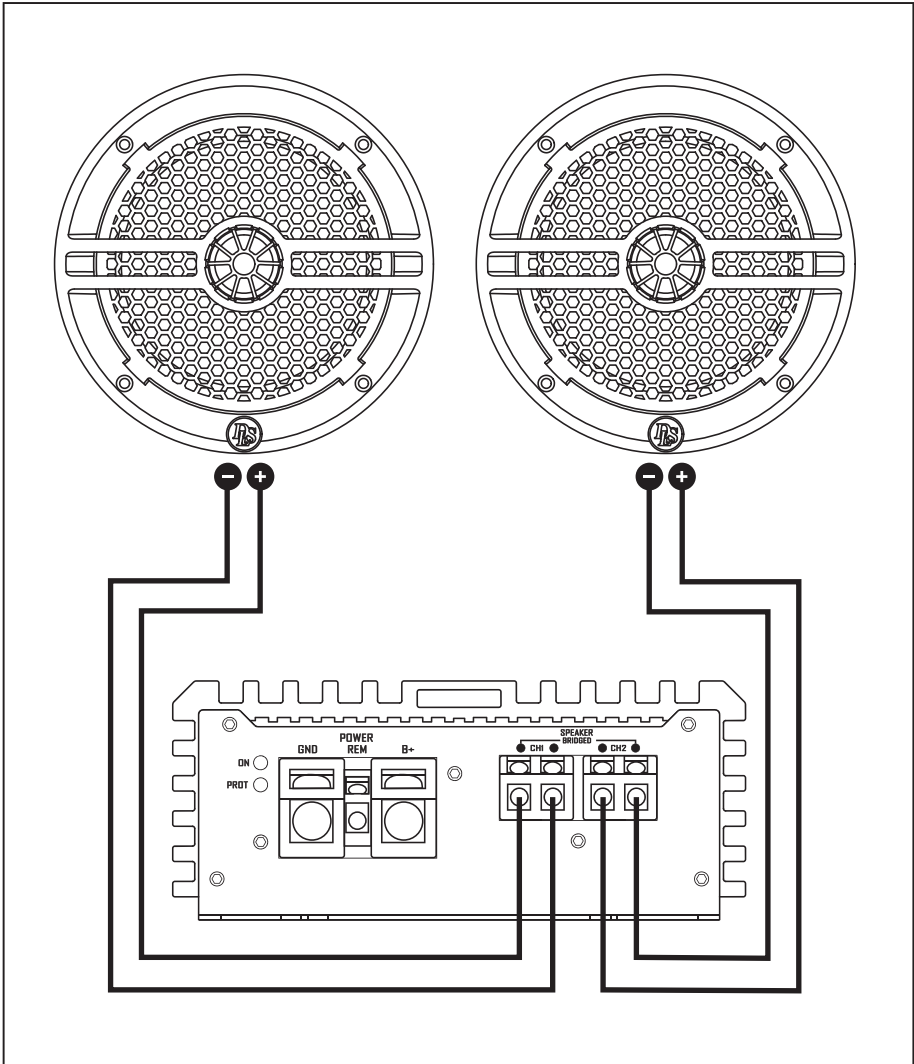


DLS support

For technical assistance, ask your car audio dealer where the product was sold or the distributor in your country. You can always contact the DLS Support in Sweden via e-mail: info@dls.se. Information can also be found on our website: www.dls.se. We follow a policy of continuous advancement in development. For this reason, all or part of specifications & designs may be changed without prior notice.



Wiring diagram





Specifications

DLS Alive A6XW Coaxial Speaker

Technical Specifications

Colour	White
Size	6.5" /165 mm woofer and 1" / 25 mm tweeter
RMS Power	80 W
MAX Power	160 W
Impedance	3 Ohm
Sensitivity	89 dB 1W/1m
Freq. range	60 Hz - 22 kHz
Crossover	4800 Hz 6 dB / Oct with DLS MKT HiFi caps

DLS Alive A6XW Woofer

Technical Specifications

Size	6.5" /165 mm
Voice Coil Size	1" / 25 mm
Voice Coil Material	Copper wire / Kapton® former
Basket	Glass fiber basket IP65 rated UV stable ABS
Magnet	Ferrite
Cone	Glass fiber
Suspension	Rubber

Electro-Acoustic Parameters

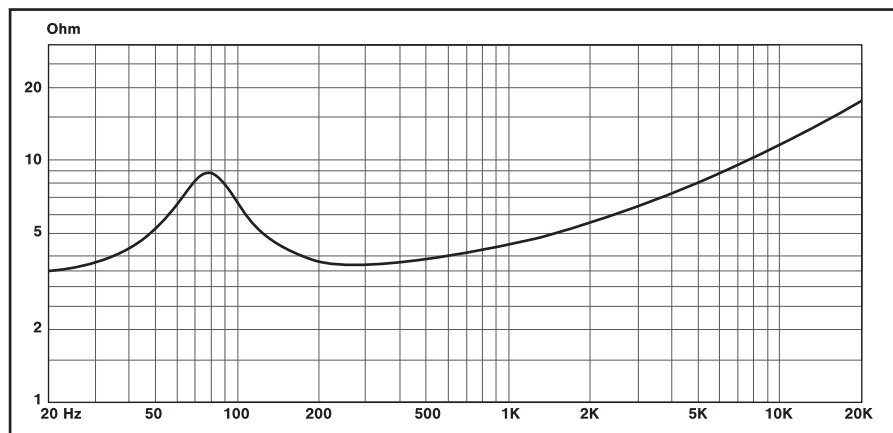
Re	2.6 Ohm
Fs	75 Hz
Mms	15.2 gr
Cms	0.269
Vas	5.4 L
Qts	0.78
Qes	1.15
Qms	1.99
Bl	3.96 T.m
Spl	88.7 dB 1W/1m
Sd	139 cm ²

DLS Alive A6XW Tweeter

Technical Specifications

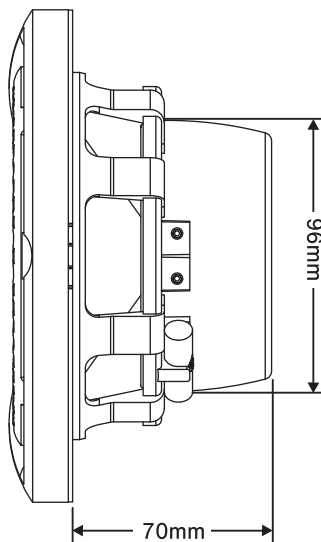
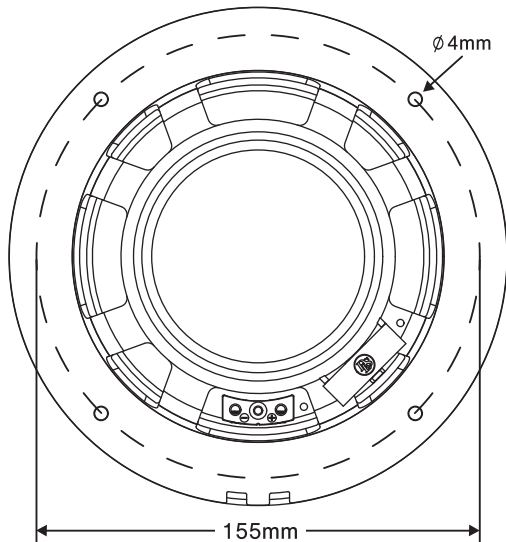
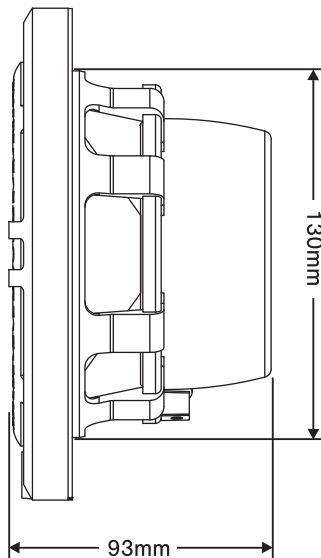
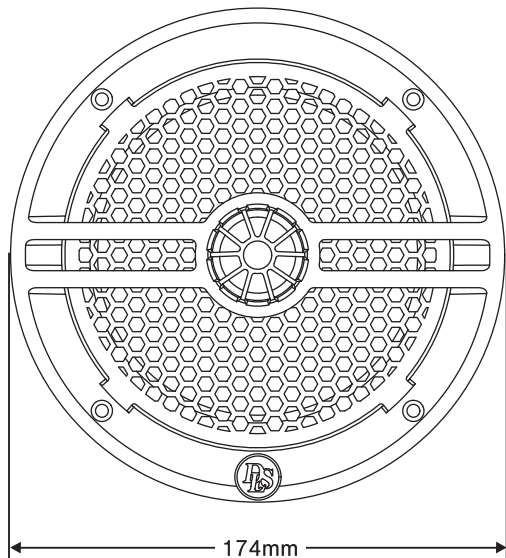
Size	1" / 25.4 mm
Voice Coil Material	CCA wire / Aluminum former
Frame	IP65 rated UV stable ABS
Magnet	Neodymium
Cone	Natural silk dome

Impedance vs. Frequency





Dimensions





Product markings



The crossed-out wheellie bin symbol means that the product, literature and packaging included must be taken to separate collection at the end of their working life. Do not dispose of these products as unsorted municipal waste: take them for recycling. For info on your nearest recycling point, check with your local waste authority.



This product has been granted with the CE certification mark to show that the product follows the health, safety, and environmental protection standards for products sold within the European Economic Area (EEA).



DLS products complies with the relevant provisions of the RoHS Directive for the European Union. In common with all Electrical and Electronic Equipment (EEE) the product should not be disposed of as household waste. Alternative arrangements may apply in other jurisdictions.



DLS is a global partner of the European Mobile Media Association, an organisation that focus on promoting the custom made mobile media installations to consumers.

We follow a policy of continuous advancement in development. For this reason all or part of specifications & designs may be changed without prior notice. We reserve for possible typos, factual or numeric errors that may have been printed on any products, package designs, user manuals and/or other included accessories.



ALIVE