

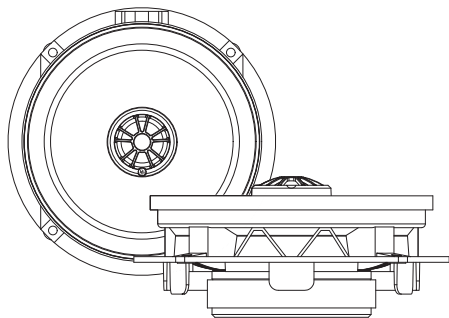
# CRPP-2.6CX

User Manual

Seat / Skoda / VW



CRUISE



### Welcome to DLS!

Thank you for purchasing DLS Cruise CRPP-2.6CX coaxial speakers. For us, it's all about the sound experience. We care deeply about sound and construction quality. In order for your experience to be as optimal as possible, it is important that you fully read this manual, preferably before you start your installation. Keep the manual in a safe and accessible place for future reference.

Your speakers must be installed correctly in order to work as intended. Make sure you have all necessary tools nearby before starting and that you are completely confident in how to proceed. If you feel the slightest uncertainty; feel free to take the help of an experienced installer or a car audio dealer.

### Warranty

This coaxial speaker is covered by warranty, depending on the conditions in the country where it is sold. If the speaker is returned for service, please include the original dated receipt with the product.

### DECLARATION OF CONFORMITY

DLS plug and play speakers for vehicles are manufactured in accordance with the EU directive EEC 95/54 (72/245/EEC) and are marked with the approval number. They are also marked in accordance with the WEEE-directive 2012/19/EC. The products are also produced in accordance with the EU RoHS directive 2015/863/EU.

# DLS CRUISE CRPP-2.6CX

## Content

Welcome	1
Parts Included	2
Pre-installation	2
General Info	2
Installation	2
Remove Door Panel	2
Remove Speaker	3
Mount DLS Speaker	3
Remount Door Panel	4
Running-in Time	4
DLS Support	4
Specifications	5
Compatible Car Models	7
Disclaimer	9
Product Markings	10

DLS speakers are engineered by DLS Sweden,  
a part of:

**Winn Scandinavia AB**

Elementvägen 15 - SE-702 27 Örebro - Sweden

Tel: +46 19 20 67 65 - E-mail: info@dls.se

www.dls.se

**Designed & Sound tuned in Sweden.**



# Parts Included

**Included products:**

2pcs Coaxial speakers

**Included in box:**

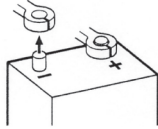
2pcs Factory speaker connector  
4pcs Adhesive foams for wrapping  
4pcs Terminal crimp connectors  
10pcs Blind rivets  
1pc Pry Tool  
1pc Manual

# Pre-installation

**Disconnect Battery**

Before you start the process of replacing speakers, disconnect and secure the negative terminal from your battery/power source. This will prevent the risk of damaging yourself or the products.

Place the disconnected terminal in a secure and isolated location away from any possible connection belonging to the battery/power source system.



# General Info

Some sound systems may vary in size of the door speaker. Before you start the assembly, make sure that your vehicle has the same size as these speakers.

The installation process may vary depending on the car model, factory options and other factors. The approach is similar to all of the described car models.

Take care when removing panels, so there will be no marks. Use plastic pry tools to avoid marks on the panels and damaging the plastic clips.

DLS recommend using the CRPP-2.6 component kit in the front doors and the CRPP-2.6CX coaxial speakers in the rear doors for an optimal audio experience. This helps to elevate the sound stage and vastly reduces the treble sometimes heard from the rear door tweeters.

# Installation

## Remove Door Panel

Disassemble the rear door by removing the door panel cover.

**Hint:** Use plastic pry tools to avoid marks on the panels and damaging the plastic clips.



Usually the clips/screws are placed by the white marks. This could vary depending on the vehicle.



In most cases the screws used are Torx T30. Unscrew them and store the screws in a safe place, for later use when reinstalling the door panel.

Use a size 10 wrench. Normally the bolt is located at the bottom of the panel. Turn the bolt 90 degrees.



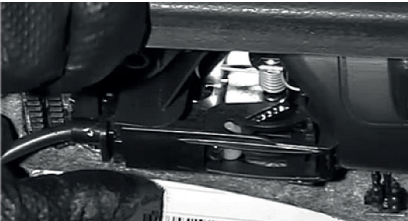


Loosen the door panel by inserting the pry tool between the panel and the door. Pry the door panel gently, but firm, outward to release the clips.



When the door panel is loose, start by softly lifting the panel straight up to remove it.

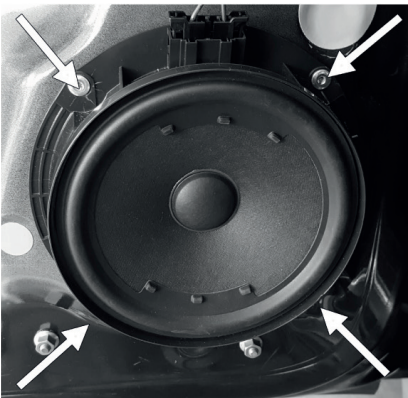
There are several electrical and mechanical connectors on the backside of the panel. Release the door lock wire.



Disconnect the window control panel, speaker cable harness and any other connections.

## Remove Speaker

Start by disconnecting the speaker connector. The door speakers are fixed with rivets



Use a 4mm drill bit to remove the rivets. Make sure all remains from the old rivets are removed from the inside of the door.



Drill just enough to remove the top of the rivets, and the speaker will come loose.

## Mount DLS Speaker

Place the new DLS speaker in the hole for the speaker. DLS recommends using a rivet tool (not included with CRPP-2.6CX - but included with the CRPP-2.6 component kit) and the included rivets to safely mount the driver. (You may need to repeat Step 3 multiple times)

1. Insert rivet
  2. Plug in the rivet tool
  3. Press handles
  4. Remove the pin
- 

When the rivets are in place and the woofer is mounted, connect the speaker harness.



## Remount Door Panel

Start the reassembly of the door panels. Follow this manual in reverse order. Reconnect all cables. Connect all plugs to the door panel, reconnect the door handle cable, place the door cover from the top by the window seal and push it down gently. Make sure the clips align with their holes and can engage. Give the door panel a push by the hand to attach to the clips. Mount and fasten all screws/bolts at the correct places.

### Hint!

Take care when installing the door panel, to make sure no wires get squeezed and/or pressed against the midrange speaker when it's installed in the door frame.

## Running-in Time

The coaxial speaker will perform at it's best after 15-20 hours of running-in time. The running-in time can be played with a tone, or by just playing music like usual.

Start your listening at a moderate level and increase the volume as time goes by. After 15-20 hours of listening the performance and characteristics will be as intended.



## DLS Support

For technical assistance, ask your car audio dealer where the product was sold or the distributor in your country. You can always contact the DLS Support in Sweden via e-mail: [info@dls.se](mailto:info@dls.se). For more information regarding DLS and our products, visit our website: [www.dls.se](http://www.dls.se). We follow a policy of continuous advancement in development. For this reason, all or part of specifications and designs may be changed without prior notice.



# Specifications

## DLS Cruise CRPP-2.6CX Coaxial Speaker

### Technical Specifications

Size	6.5" / 165 mm woofer and 1" / 25 mm tweeter
RMS Power	90 W
MAX Power	180 W
Impedance	3 Ohm
Sensitivity	90 dB 1W/1m
Freq. range	65 Hz - 25 kHz
Crossover	4800 Hz 6 dB / Oct with Mundorf caps

## DLS Cruise CRPP-2.6CX Woofer

### Technical Specifications

Size	6.5" / 165 mm
Voice Coil Size	1" / 25 mm
Voice Coil Material	CCAW voice coil with Kapton® former
Basket	Glass Fiber Reinforced ABS
Magnet	Ferrite
Cone	Glass Fiber
Suspension	Rubber

### Electro-Acoustic Parameters

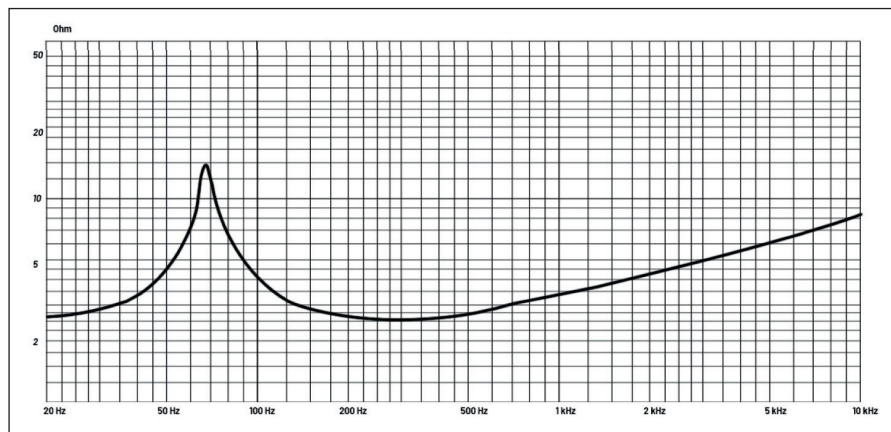
Re	2.7 Ohm
Fs	74.4 Hz
Mms	10.7 gr
Cms	0.426
Vas	11.1 L
Qts	0.87
Qes	0.97
Qms	9.0
Bl	3.96 T.m
Spl	88.7 dB 1W/1m
Sd	139 cm <sup>2</sup>

## DLS Cruise CRPP-2.6CX Tweeter

### Technical Specifications

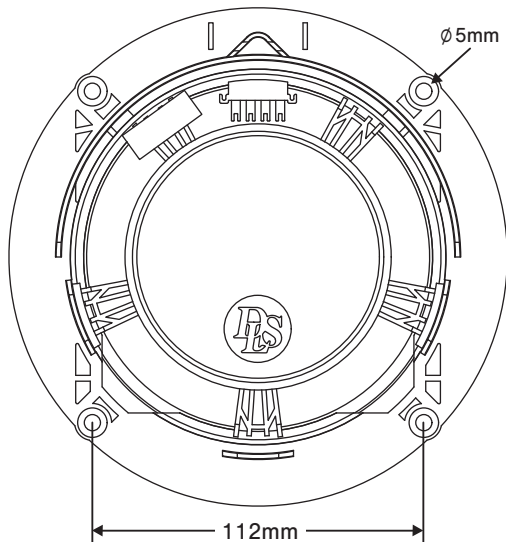
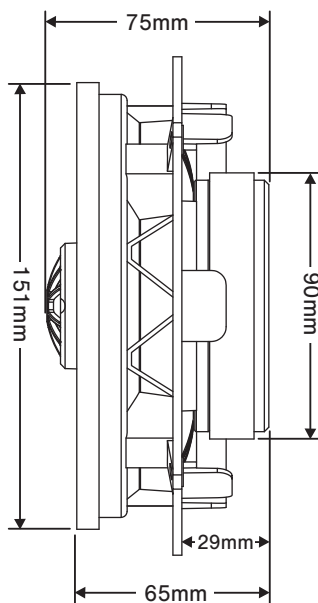
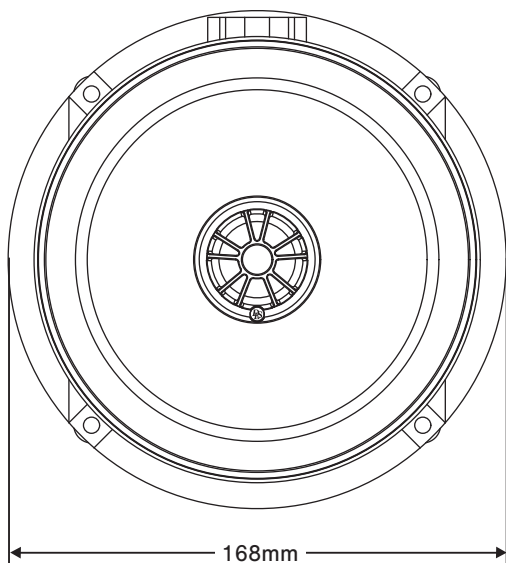
Size	1" / 25.4 mm
Voice Coil Material	CCAW voice coil with aluminum former
Frame	Glass Fiber Reinforced ABS
Magnet	Neodymium with copper shorting ring
Cone	Natural silk dome

## Impedance vs. Frequency





Dimensions





# Compatible Car Models

## DLS Cruise CRPP-2.6 & CRPP-2.6CX

Make	Model	Year	Front speaker	Rear speaker
AUDI	A2	1999-2005	CRPP-2.6	CRPP-2.6CX
AUDI	Q4 E-TRON	2021-	CRPP-2.6	CRPP-2.6CX*
CUPRA	BORN	2021-2024	CRPP-2.6	CRPP-2.6CX
MAN	TGE (Utility)	2017-	CRPP-2.6	
MAN	TGE (Single Cab)	2017-	CRPP-2.6	
MAN	TGE (Double Cab)	2017-	CRPP-2.6	CRPP-2.6CX
SEAT	ALTEA (5P-5PN)	2004-2015	CRPP-2.6	CRPP-2.6CX
SEAT	ALTEA XL (5P-5PN)	2006-2015	CRPP-2.6	CRPP-2.6CX
SEAT	ARONA	2018-2022	CRPP-2.6	CRPP-2.6CX
SEAT	AROSA (6H-6HS)	1997-2004	CRPP-2.6	
SEAT	ATECA	2016-2021	CRPP-2.6	CRPP-2.6CX
SEAT	CORDOBA II	2002-2009	CRPP-2.6	CRPP-2.6CX
SEAT	IBIZA III (6L)	2001-2008	CRPP-2.6	CRPP-2.6CX
SEAT	IBIZA IV (6J)	2008-2017	CRPP-2.6	CRPP-2.6CX
SEAT	IBIZA V (6V/F)	2018-2024	CRPP-2.6	CRPP-2.6CX*
SEAT	LEON (1M)	2000-2005	CRPP-2.6	CRPP-2.6CX
SEAT	LEON II (1P)	2006-2012	CRPP-2.6	CRPP-2.6CX
SEAT	MII (AA-AN)	2012-2020	CRPP-2.6	
SEAT	TOLEDO II (1M)	1994-2004	CRPP-2.6	CRPP-2.6CX
SEAT	TOLEDO III	2004-2009	CRPP-2.6	CRPP-2.6CX
SEAT	TOLEDO IV	2012-2019	CRPP-2.6	CRPP-2.6CX
SKODA	CITIGO (AA-AAN)	2012-2020	CRPP-2.6	
SKODA	Enyaq iV	2022-2025	CRPP-2.6	CRPP-2.6CX
SKODA	Enyaq iV Coupé	2022-2025	CRPP-2.6	CRPP-2.6CX
SKODA	FABIA I	1999-2007	CRPP-2.6	CRPP-2.6CX
SKODA	FABIA II (5J)	2007-2014	CRPP-2.6	CRPP-2.6CX*
SKODA	FABIA III	2014-2021	CRPP-2.6	CRPP-2.6CX*
SKODA	FABIA IV	2021-	CRPP-2.6	CRPP-2.6CX*
SKODA	KUSHAQ	2021-	CRPP-2.6	CRPP-2.6CX*
SKODA	OCTAVIA II (1Z)	2004-2013		CRPP-2.6CX
SKODA	RAPID	2012-2020	CRPP-2.6	CRPP-2.6CX
SKODA	ROOMSTER	2006-2015	CRPP-2.6	CRPP-2.6CX*
SKODA	SLAVIA	2020-	CRPP-2.6	CRPP-2.6CX*
SKODA	SUPERB II	2008-2015		CRPP-2.6CX
SKODA	YETI	2009-2013	CRPP-2.6	CRPP-2.6CX*
SKODA	YETI II	2013-2017		CRPP-2.6CX
VW	AMAROK	2010-2022	CRPP-2.6	CRPP-2.6CX
VW	ARTEON	2017-2023		CRPP-2.6CX*
VW	ARTEON Break	2020-2023		CRPP-2.6CX*
VW	ATLAS	2017-		CRPP-2.6CX*
VW	ATLAS Cross sport	2020-		CRPP-2.6CX*
VW	BEETLE	2011-2021		CRPP-2.6CX*
VW	BORA	1998-2005	CRPP-2.6	CRPP-2.6CX
VW	BORA	2007-2013		CRPP-2.6CX





VW	BORA VARIANT	1999-2005	CRPP-2.6	CRPP-2.6CX
VW	C-TREK	2016-	CRPP-2.6	CRPP-2.6CX
VW	CADDY V	2020-2021	CRPP-2.6	
VW	CC	2017-		CRPP-2.6CX*
VW	CRAFTER II	2017-2021	CRPP-2.6	
VW	EOS	2006-2011		CRPP-2.6CX*
VW	GOLF IV	1997-2004	CRPP-2.6	CRPP-2.6CX
VW	GOLF IV VARIANT	1997-2004	CRPP-2.6	CRPP-2.6CX
VW	GOLF V	2003-2008		CRPP-2.6CX*
VW	GOLF Plus	2005-2016		CRPP-2.6CX*
VW	GOLV VI (Cab)	2011-2016	CRPP-2.6	
VW	GOLV VI	2008-2014	CRPP-2.6	CRPP-2.6CX*
VW	GOLF VII	2016-2020	CRPP-2.6	CRPP-2.6CX*
VW	GOLF VIII	2020-	CRPP-2.6	CRPP-2.6CX*
VW	GOLF Sportvan	2014-2020	CRPP-2.6	CRPP-2.6CX*
VW	ID.3	2020-	CRPP-2.6	CRPP-2.6CX
VW	ID.4	2021-	CRPP-2.6	CRPP-2.6CX
VW	ID.5	2022-	CRPP-2.6	CRPP-2.6CX
VW	ID.6	2022-	CRPP-2.6	CRPP-2.6CX
VW	ID.Buzz	2022-	CRPP-2.6	CRPP-2.6CX
VW	ID.Buzz Cargo	2022-	CRPP-2.6	
VW	JETTA V	2005-2010		CRPP-2.6CX*
VW	JETTA VI	2010-2014	CRPP-2.6	CRPP-2.6CX*
VW	JETTA VII	2015-	CRPP-2.6	CRPP-2.6CX*
VW	LAVIDA	2008-2018	CRPP-2.6	CRPP-2.6CX*
VW	LAVIDA PLUS	2018-	CRPP-2.6	CRPP-2.6CX*
VW	LAMANDO	2014-2022		CRPP-2.6CX*
VW	LUPO	1998-2005	CRPP-2.6	
VW	MAGOTAN	2013-2016	CRPP-2.6	CRPP-2.6CX*
VW	MAGOTAN	2016-		CRPP-2.6CX*
VW	MULTIVAN T5	2003-2015		CRPP-2.6CX
VW	MULTIVAN T6	2015-2018		CRPP-2.6CX
VW	MULTIVAN T6.1	2019-2023	CRPP-2.6	CRPP-2.6CX
VW	NEW BEETLE	1997-2011	CRPP-2.6	CRPP-2.6CX
VW	NIVUS	2020-	CRPP-2.6	
VW	PASSAT (B5)	1996-2005	CRPP-2.6	CRPP-2.6CX
VW	PASSAT (B6/B7)	2005-2015		CRPP-2.6CX*
VW	PASSAT (B8)	2015-2022		CRPP-2.6CX*
VW	PASSAT CC	2008-2016		CRPP-2.6CX*
VW	POLO IV	2001-2009	CRPP-2.6	CRPP-2.6CX
VW	POLO V	2009-2014	CRPP-2.6	CRPP-2.6CX
VW	POLO VI	2014-2017	CRPP-2.6	CRPP-2.6CX
VW	POLO VII	2017-2023	CRPP-2.6	CRPP-2.6CX
VW	NEW SANTANA	2012-2020	CRPP-2.6	CRPP-2.6CX
VW	SCIROCCO III	2008-2017	CRPP-2.6	CRPP-2.6CX
VW	TRANSPORTER T5	2003-2015		
VW	TRANSPORTER T6	2015-2018		
VW	TRANSPORTER T6.1	2019-2023	CRPP-2.6	
VW	TAOS	2021-	CRPP-2.6	CRPP-2.6CX*
VW	TACQUA	2019-	CRPP-2.6	CRPP-2.6CX*
VW	TAIGO	2022-	CRPP-2.6	CRPP-2.6CX
VW	TAIGUN	2021-	CRPP-2.6	CRPP-2.6CX
VW	TERAMONT	2017-		CRPP-2.6CX*
VW	TERAMONT X	2020-		CRPP-2.6CX*
VW	TAREK	2018-	CRPP-2.6	CRPP-2.6CX



VW	TAYRON	2019-		CRPP-2.6CX*
VW	THARU	2018-	CRPP-2.6	CRPP-2.6CX
VW	TIGUAN	2007-2021	CRPP-2.6	CRPP-2.6CX*
VW	TIGUAN II	2016-2024	CRPP-2.6	CRPP-2.6CX*
VW	TIGUAN X	2022-2024		CRPP-2.6CX*
VW	TOURAN	2003-2010		CRPP-2.6CX*
VW	TOURAN	2011-2015		CRPP-2.6CX*
VW	TOURAN	2016-		CRPP-2.6CX*
VW	T-CROSS	2019-	CRPP-2.6	CRPP-2.6CX
VW	T-ROC CAB	2019-	CRPP-2.6	CRPP-2.6CX
VW	T-ROC	2017-	CRPP-2.6	CRPP-2.6CX
VW	UP!	2011-2021	CRPP-2.6	CRPP-2.6CX
VW	E-UP!	2019-	CRPP-2.6	CRPP-2.6CX
VW	VENTO	2010-2019	CRPP-2.6	CRPP-2.6CX
VW	VIRTUS	2018-	CRPP-2.6	CRPP-2.6CX

\*DLS Recommends CRPP-2.6CX as rear speaker. CRPP-2.6 kit may fit in rear doors if there is a tweeter with a matching 3-leg mount.

## Disclaimer

The DLS CRPP-2.6CX coaxial speakers may not be fully compatible, or requires extensive modifications to install, if your vehicle is equipped with the original Premium Hi-fi system/Dynaudio system/Fender Audio system, or has a sound system with 8" speakers or has a 3-way speaker system in the front.

**Note!** The factory sound system (for example speaker impedance) may in rare occasions be changed without prior notice from the vehicle manufacturer. If the factory speaker is below 2 Ohm or above 6 Ohm impedance, you should be cautious before installing your new speakers. The new speakers may not function properly, and can cause harm to the factory amplifier. For more information, visit [www.dls.se](http://www.dls.se) or consult your local DLS dealer.



# Product Markings



The crossed-out wheelee bin symbol means that the product, literature and packaging included must be taken to separate collection at the end of their working life. Do not dispose of these products as unsorted municipal waste: take them for recycling. For info on your nearest recycling point, check with your local waste authority.



This product has been granted with the CE certification mark to show that the product follows the health, safety, and environmental protection standards for products sold within the European Economic Area (EEA).



DLS products comply with the relevant provisions of the RoHS Directive for the European Union. In common with all Electrical and Electronic Equipment (EEE) the product should not be disposed of as household waste. Alternative arrangements may apply in other jurisdictions.



DLS is a global partner of the European Mobile Media Association, an organisation that focus on promoting the custom made mobile media installations to consumers.

We follow a policy of continuous advancement in development. For this reason all or part of specifications & designs may be changed without prior notice. We reserve for possible typos, factual or numeric errors that may have been printed on any products, package designs, user manuals and/or other included accessories.



CRUISE **E**