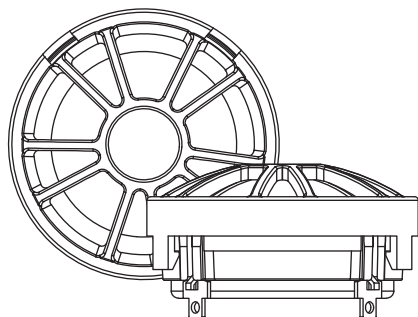


CRPP-UT25

User manual

Universal 4 ohm tweeter





Welcome to DLS!

Thank you for buying a DLS Cruise CRPP-UT25. For us, it's all about the sound experience. We care deeply about sound and construction quality. In order for your experience to be as optimal as possible, it is important that you read this manual, preferably before you start your installation. Keep the manual in a safe and accessible place for future reference.

Your tweeters must be installed correctly in order to work as intended. Make sure you have all necessary tools nearby before starting and that you are completely confident in how to process. If you feel the slightest uncertainty; feel free to take the help of an experienced installer or a car audio dealer.

Warranty

This tweeter is covered by warranty, depending on the conditions in the country where it is sold. If the tweeter is returned for service, please include the original dated receipt with the product.

General

Some sound systems may vary in size of the installed tweeters. Make sure that your vehicle has the same size as this tweeter, before you start the assembly

DECLARATION OF CONFORMITY

DLS Cruise tweeters for vehicles are manufactured in accordance with the EU directive EEC 95/54 (72/245/ EEC) and are marked with the approval number. They are also marked in accordance with the WEEE-directive 2012/19/EC. The products are also produced in accordance with the EU RoHS directive 2015/863/EU.

DLS CRUISE

CRPP-UT25

Content

Welcome	1
Warranty	1
General	1
Declaration of conformity	1
Included parts	2
Pre installation	2
General info	2
Installation	2
Running-in time	3
Door insulation	3
DLS support	3
Specifications	4
Dimensions	4
Mounting options	4
Product markings	5

DLS speakers are engineered by DLS Sweden,
a part of:

Winn Scandinavia AB

Elementvägen 15 - SE-702 27 Örebro - Sweden

Tel: +46 19 20 67 65 - E-mail: info@dls.se

www.dls.se

Designed & Sound tuned in Sweden.



Included parts

Included products:

- 2pcs Tweeters
- 2pcs Crossovers

Included in box:

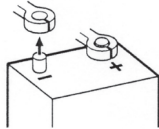
- 2pcs Inclined bottom adapter
- 2pcs Flush mounting adapter
- 2pcs Flat bottom adapter
- 2pcs Four-leaf clover foams for tweeter
- 4pcs Adhesive foam pads
- 2pcs Adhesive for tweeter inclined adapter
- 4pcs M4 screws
- 4pcs M3 screws
- 1pc Sealing compound
- 1pc PRY tool
- 1pc Manual

Pre installation

Disconnect Battery

Before you start the process of replacing tweeters, disconnect and secure the negative terminal from your battery/power source. This will prevent the risk of damaging yourself or the products.

Place the disconnected terminal in a secure and isolated location away from any possible connection belonging to the battery/power source system.



General info

Some sound systems may vary in size of the installed OEM tweeters. Make sure that your vehicle has the same size as this tweeter, before you start the assembly.

This is a generic mounting instruction. Some screws and clips may be placed differently and depending if the tweeter is placed in the A-pillar or side mirror, the course of action may vary.

Installation

General installation

In many vehicles there are factory made places for tweeters that you can use for installation. If this is impossible, try to install the tweeter close to the bass/mid driver. The tweeter can also be installed on the dash-board, or recessed in the door with the accessories coming with the tweeters.

It is important to fasten the speakers properly in order to avoid bad sound or rattling.

OEM tweeter replacement

Unscrew the old tweeter from the bracket and un-plug the cable harness. Remove the OEM tweeter from the bracket and replace it with the DLS tweeter. The flat bottom adapter can also be used for the assembly.

Use the four-leaf clover foam to secure the tweeter on the back of the A-pillar. For some models, the four-leaf clover needs to be adapted. Use a sharp scissor to modify it.



Surface mounting

For angled surface mount use the angled cup: The tweeter driver is attached to the cup by fitting the angled cup into the tracks of the tweeter driver and then turn it clockwise to lock. When removing the driver from the cup, turn it counter clock wise and lift it up. The cable goes through the hole in the rear side of the cup.



Recessed mounting

Drill a hole with a diameter of 45mm in the door side. The cup is attached to the door side with the included adhesive pads pressed to the back side of the door. Put the tweeter driver into the cup with the cable going out through the bottom hole. Then attach the driver into the cup and turn it clockwise to lock in the cup. When removing the driver from the cup, turn it counter clock wise and lift it out.

Crossover installation

Connect the crossover with the Pre-terminated connector. Use the included adhesive foam pads to secure the crossover cables on the planned surface or panel.



The yellow cable loop is tweeter level option, enabling fine tuning of the high frequencies
Closed loop = -4dB (Shown in the picture)
Open loop = Normal

Running-in time

Allow the tweeters to play for at least 15-20 hours in order to perform at its possibly best. This run-in can be made with tone sweep or with just music.

Start at a moderate volume and increase the volume step by step during the running in period. After the 15-20 hour run in session the performance and characteristics will be in the correct condition.



DLS support

For technical assistance, ask your car audio dealer where the product was sold or the distributor in your country. You can always contact DLS Helpdesk in Sweden at e-mail: info@dls.se. Information can also be found on our WEB-site www.dls.se. We follow a policy of continuous advancement in development. For this reason, all or part of specifications and designs may be changed without prior notice.



Specifications

Art. no	CD-CRPP-UT25
Tweeter	1" / 25mm silk dome tweeter with accessories
RMS Power	50W
MAX Power	100W
Impedance	4 Ohm
Sensitivity	94dB 1W/1M
Freq. range	2000-25000Hz
Crossover	High pass / 4800Hz / 12dB

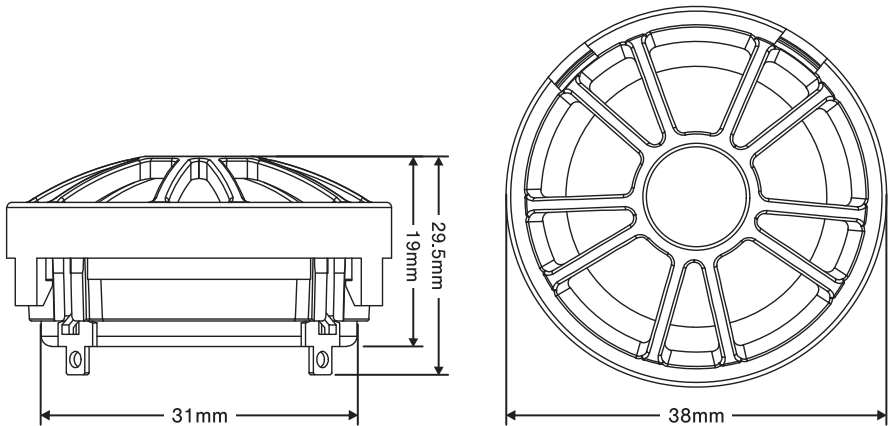
Technical specifications

Voice Coil Material	CCAW voice coil/ Aluminum former
Frame	Glass Fibre Reinforced ABS
Magnet	Neodymium / Copper shorting ring / Ventilated back plate
Cone	Natural silk dome with internal damping pad
Crossover	Mundorf® caps, Mox resistors, Air coil, hard wire
Attenuation L-Pad	0/-4dB level

Electro-Acoustic Parameters

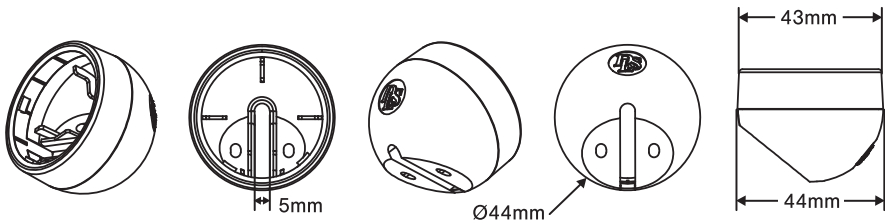
Re	3.4 Ohm
Fs	1950Hz
Spl	94dB 1W/1M

Tweeter dimensions

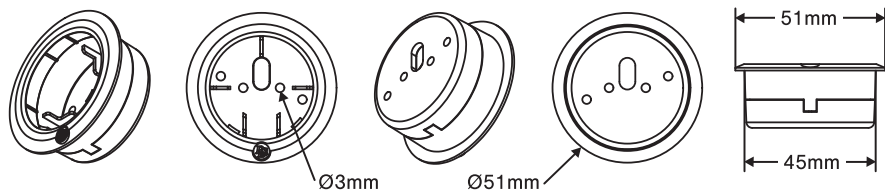




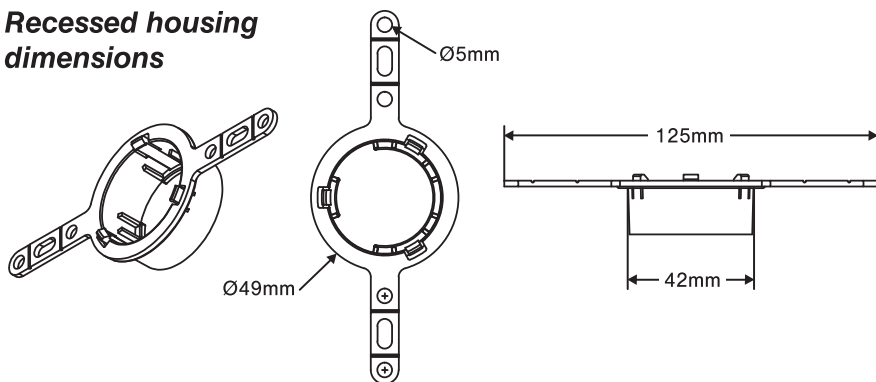
Angled housing dimensions



Surface housing dimensions



Recessed housing dimensions





Product markings



The crossed-out wheellie bin symbol means that the product, literature and packaging included must be taken to separate collection at the end of their working life. Do not dispose of these products as unsorted municipal waste: take them for recycling. For info on your nearest recycling point, check with your local waste authority.



This product has been granted with the CE certification mark to show that the product follows the health, safety, and environmental protection standards for products sold within the European Economic Area (EEA).



DLS products complies with the relevant provisions of the RoHS Directive for the European Union. In common with all Electrical and Electronic Equipment (EEE) the product should not be disposed of as household waste. Alternative arrangements may apply in other jurisdictions.



DLS is a global partner of the European Mobile Media Association, an organisation that focus on promoting the custom made mobile media installations to consumers.

We follow a policy of continuous advancement in development. For this reason all or part of specifications & designs may be changed without prior notice. We reserve for possible typos, factual or numeric errors that may have been printed on any products, package designs, user manuals and/or other included accessories.



CRUISE