

CRPP-UT25

CUSTOM OEM UPGRADE

Universal 4 ohm tweeter

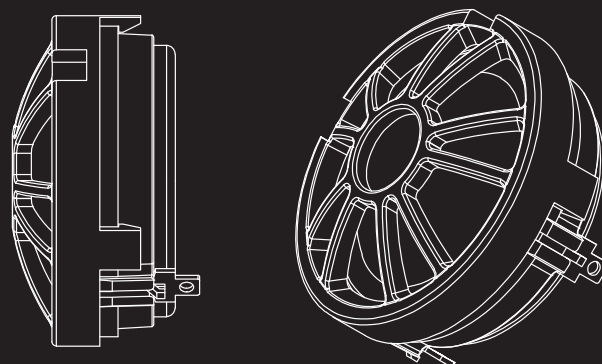
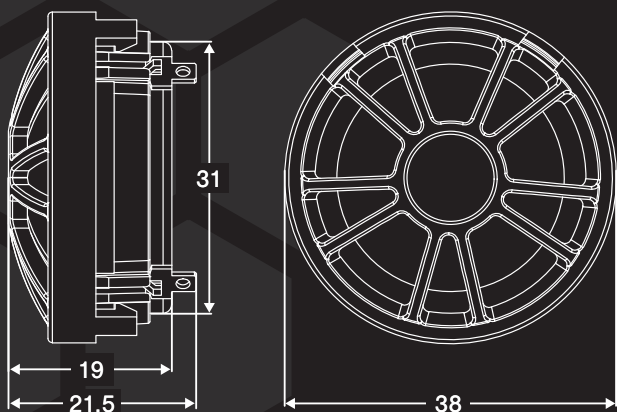
The Cruise series brings you the DLS natural sound engineered for integration. Easy to install and the perfect upgrade from your OEM system.

- Detailed warm character tweeter component
- Light weight natural 1" soft silk dome with transparent coating
- Internal damping pad and rear ventilated back plate minimizing resonances
- Copper shorting cap improves distortion and inductance parameters
- High grade neodymium magnet for higher sensitivity
- Exclusive 12dB high pass, hard wire crossover
- High-End Mundorf Mcap® capacitors
- 4dB L-pad attenuation possibility with high grade MOX resistors
- Air core copper wire coil
- Industrial quality connectors
- PRY tool and multiple accessories included



ELECTRO-ACOUSTIC PARAMETERS	
Tweeter	
Re	3.4 Ohm
Fs	1950 Hz
SPL	94dB 1W/1M

SPECIFICATIONS	
Tweeter	1" / 25mm
Power RMS	50 W
Power MAX	100W
Impedance	4 Ohm
Sensitivity	94dB 1W/1M
Freq.range	2000-25000Hz
Crossover	4800Hz / 12dB



CRPP-UT25

CUSTOM OEM UPGRADE

Universal 4 ohm tweeter

COMPATIBLE CAR MODELS

Meticulously crafted to cater to a wide range of car models, the universal Cruise CRPP-UT25 delivers a warm and natural sound thanks to its 1" soft silk dome. Different housing adapters are included to make the installation smooth and simple. For further information about the Cruise series and to find the perfect fit for your car, please visit our website.

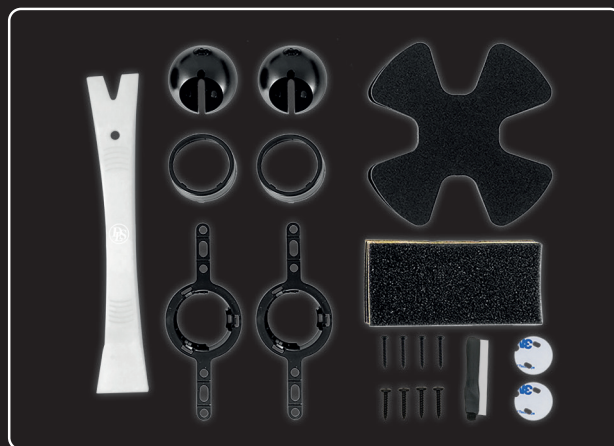
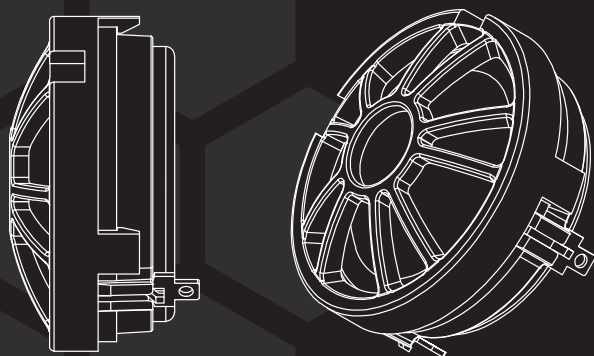
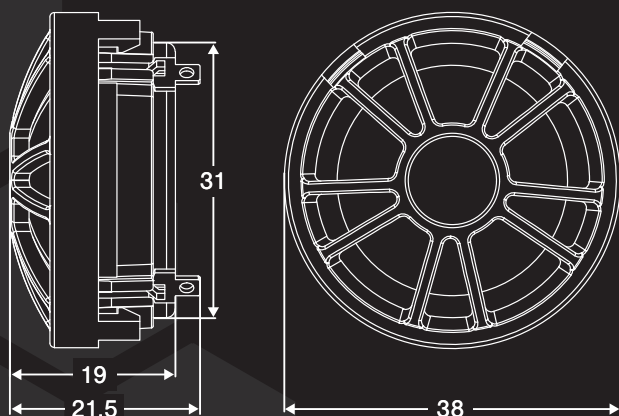


INCLUDED PRODUCTS

- 2pcs Tweeters
- 2pcs Crossovers

INCLUDED IN BOX

- 2pcs Inclined bottom adapter
- 2pcs Flush mounting adapter
- 2pcs Flat bottom adapter
- 2pcs Four-leaf clover foams for tweeter
- 4pcs Adhesive foam pads
- 2pcs Adhesive for tweeter inclined adapter
- 4pcs M4 Screws
- 4pcs M3 Screws
- 1pc Sealing compound
- 1pc PRY Tool
- 1pc Manual



DLS Sweden, a part of Winn Scandinavia AB
www.facebook.com/dlsaudioofficial
www.dls.se | info@dls.se



CRUISE