

CRPP-UW62

CUSTOM OEM UPGRADE

Universal 2 ohm woofer

The Cruise series brings you the DLS natural sound engineered for integration. Easy to install and the perfect upgrade from your OEM system.

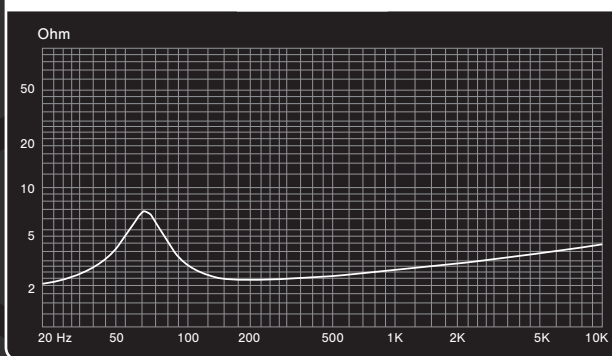
- Natural and musical sounding component driver
- Accurate & durable 6.5" glass fibre laminated woofer
- Santoprene® rubber dust cap, minimizing cone breakup and resonances
- Nomex® / Santoprene® moving components for low distortion
- Woven tinsel leads avoids high excursion noise
- Non-magnetic Kapton® / copper wire voice coil
- Optimized high grade ferrite magnet
- Dual ventilation solution with increased heat transfer
- Anti-resonating reinforced steel euro basket
- Twin terminal for easier installation
- PRY tool and multiple accessories included



ELECTRO-ACOUSTIC PARAMETERS

Woofer	
Re	1.8 Ohm
Fs	62.7Hz
Mms	16.6gr
Cms	0.387
Vas	10.6L
Qts	0.73
Qes	0.98
Qms	2.904
Bl	3.45T.m
SPL	86.1 1dB 1W/1M
Sd	139cm ²

IMPEDANCE vs FREQUENCY



SPECIFICATIONS

Woofer	6.5" / 165mm
Power RMS	100W
Power MAX	200W
Impedance	2 Ohm
Sensitivity	86.1 1dB 1W/1M
Freq.range	55-5000Hz



CRUISE

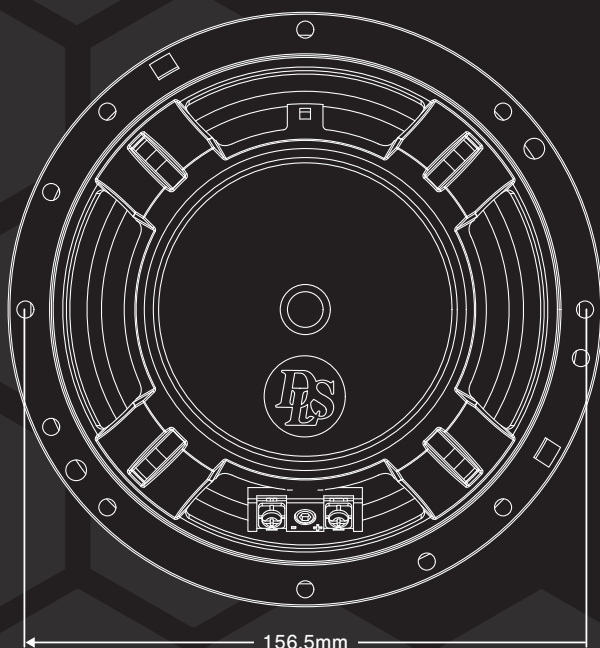
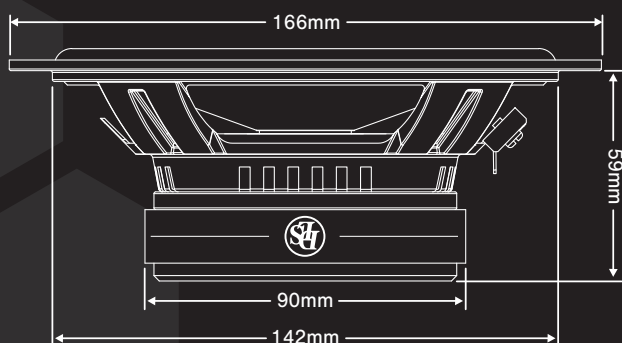
CRPP-UW62

CUSTOM OEM UPGRADE

Universal 2 ohm woofer

COMPATIBLE CAR MODELS

The Cruise universal speakers are meticulously crafted to cater to a wide range of car models that lack a defined and confined door frame for the OEM speakers. For a hassle-free installation experience, it is recommended to pair the universal speakers with an appropriate speaker adapter of your preference. Kindly visit our website to explore further information about the Cruise series and to discover the product that befits your vehicle model.



INCLUDED PRODUCTS

2pcs Woofers

INCLUDED IN BOX

- 8pcs M4 screws
- 4pcs Fork terminals
- 4pcs Flat pin connectors
- 1pc PRY Tool
- 1pc Manual



DLS Sweden, a part of Winn Scandinavia AB
www.facebook.com/dlsaudioofficial
www.dls.se | info@dls.se



CRUISE