

CRPP-UW83

CUSTOM OEM UPGRADE

Universal 3 ohm woofer

The Cruise series brings you the DLS natural sound engineered for integration. Easy to install and the perfect upgrade from your OEM system.

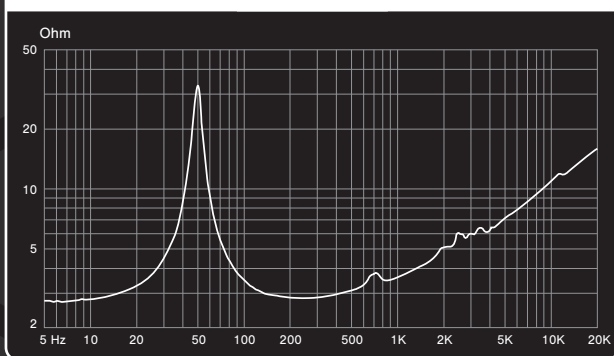
- Natural and musical sounding component driver
- Accurate & durable 8" glass fibre laminated woofer
- Santoprene® rubber dust cap, minimizing cone breakup and resonances
- Nomex® / Santoprene® moving components for low distortion
- Woven tinsel leads avoids high excursion noise
- Non-magnetic Kapton® / copper wire voice coil
- Optimized hybrid neo/ferrite magnet
- Ventilated back plate with increased heat transfer
- Anti-resonating reinforced slim steel basket
- Twin terminal for easier installation
- PRY tool and multiple accessories included



ELECTRO-ACOUSTIC PARAMETERS

Woofer	
Re	2.7 Ohm
Fs	51.3Hz
Mms	23.2gr
Cms	0.416
Vas	26.7L
Qts	0.78
Qes	0.85
Qms	9.29
Bl	4.85T.m
SPL	88.2 dB 1W/1M
Sd	214cm ²

IMPEDANCE vs FREQUENCY



SPECIFICATIONS

Woofer	8" / 200mm
Power RMS	100W
Power MAX	200W
Impedance	3 Ohm
Sensitivity	88.2 dB 1W/1M
Freq.range	45-5000Hz



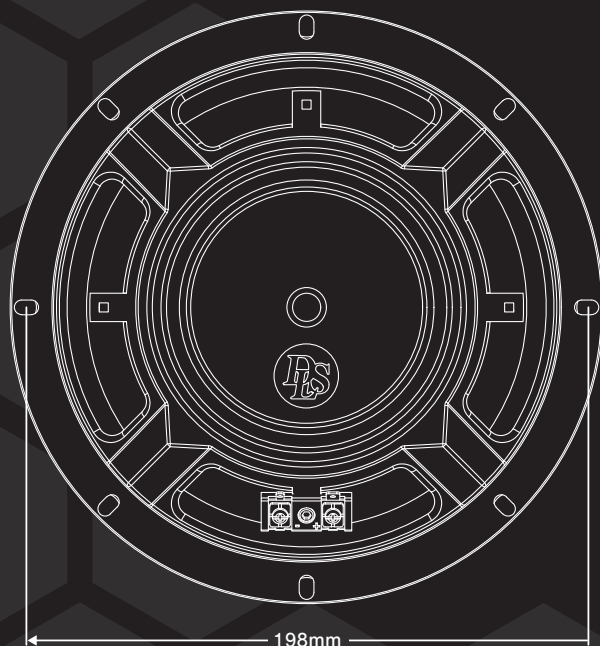
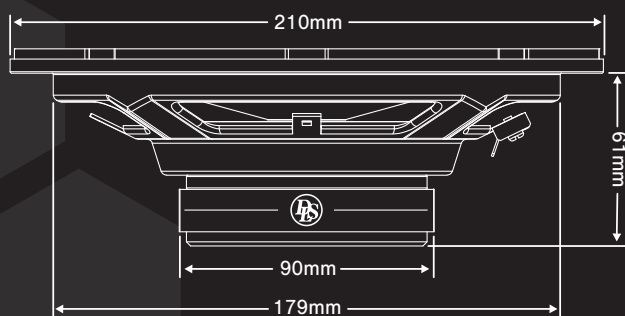
CRPP-UW83

CUSTOM OEM UPGRADE

Universal 3 ohm woofer

COMPATIBLE CAR MODELS

The Cruise universal speakers are meticulously crafted to cater to a wide range of car models that lack a defined and confined door frame for the OEM speakers. For a hassle-free installation experience, it is recommended to pair the universal speakers with an appropriate speaker adapter of your preference. Kindly visit our website to explore further information about the Cruise series and to discover the product that befits your vehicle model.

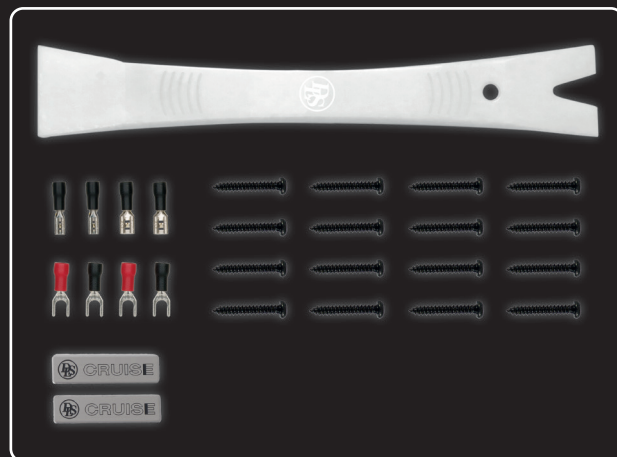


INCLUDED PRODUCTS

2pcs Woofers

INCLUDED IN BOX

- 16pcs M4 screws
- 4pcs Fork terminals
- 4pcs Flat pin connectors
- 2pcs Cruise aluminum badges
- 1pc PRY Tool
- 1pc Manual



DLS Sweden, a part of Winn Scandinavia AB
www.facebook.com/dlsaudioofficial
www.dls.se | info@dls.se



CRUISE