

# CRPP-VO2.14

## CUSTOM FIT UPGRADE

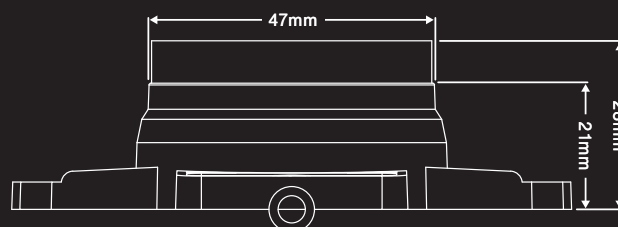
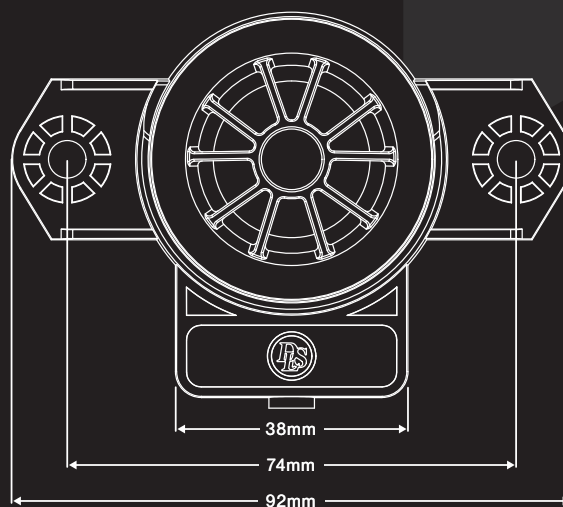
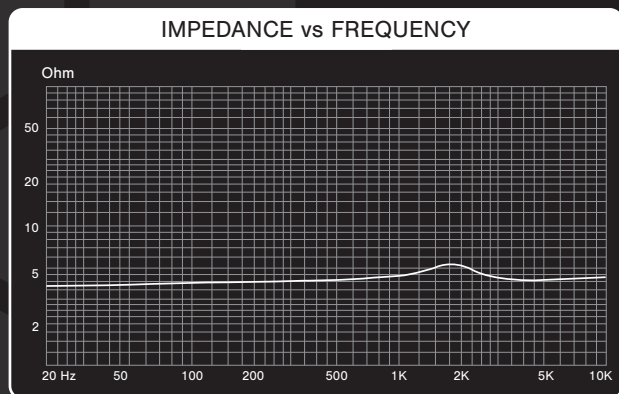
### Volvo 2014-Present

The Cruise series brings you the DLS natural sound engineered for integration. Easy to install and the perfect upgrade from your OEM system.



- Detailed warm character component tweeter
- Light weight natural 1" soft silk dome with transparent coating
- Internal damping pad and rear ventilated back plate, minimizing resonances
- Copper shorting cap improves distortion and inductance parameters
- High grade neodymium magnet for higher sensitivity
- Exclusive 12dB high pass, hard wire crossover
- High-End Mundorf Mcap® capacitors
- 4dB L-pad attenuation possibility with high grade MOX resistors
- Air core copper wire coil
- Easy to install
- PRY tool and accessories included
- Detailed assembly guide included

SPECIFICATIONS	
Tweeter	1" / 25mm
Power RMS	50 W
Power MAX	100W
Impedance	4 Ohm
Sensitivity	94dB 1W/1M
Freq.range	2000-25000Hz
Crossover	4800Hz / 12dB



ELECTRO-ACOUSTIC PARAMETERS	
Tweeter	
Re	3.4 Ohm
Fs	1950 Hz
SPL	94dB 1W/1M



# CRPP-VO2.14

## CUSTOM FIT UPGRADE

### Volvo 2014-Present



#### COMPATIBLE CAR MODELS\*

Car	Model	Year
VOLVO	S60	2018 – Present
VOLVO	S90	2016 – Present
VOLVO	V60	2018 – Present
VOLVO	V90	2016 – Present
VOLVO	XC40	2017 – Present
VOLVO	XC60	2017 – Present
VOLVO	XC90	2014 – Present

\* Disclaimer: Only compatible with Harman/Kardon and B&W sound system.  
 \*\* Read more on [www.dls.se](http://www.dls.se) for full compatibility list.

#### INCLUDED PRODUCTS

2pcs Tweeters with crossovers

#### INCLUDED IN BOX

2pcs Tweeter adaptor cable bar ends (marked with TW-A)

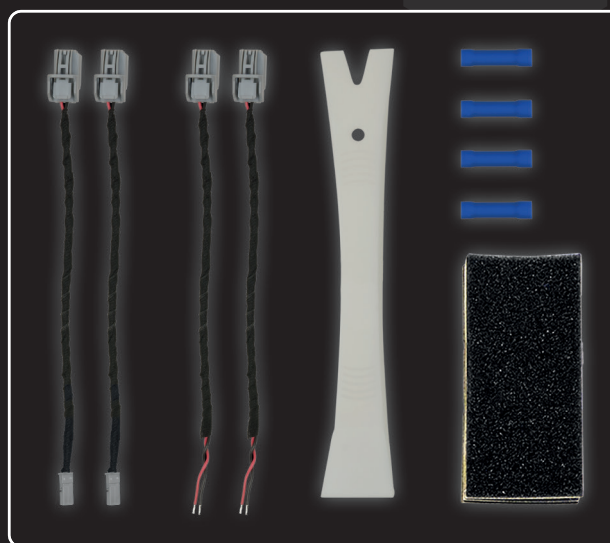
2pcs Tweeter adaptor cable (marked with TW-B)

4pcs Adhesive foams for wrapping

4pcs Terminal crimp connectors

1pc PRY Tool

1pc Manual



DLS Sweden, a part of Winn Scandinavia AB  
[www.facebook.com/dlsaudioofficial](https://www.facebook.com/dlsaudioofficial)  
[www.dls.se](http://www.dls.se) | [info@dls.se](mailto:info@dls.se)



# CRUISE