

# RSW10.D2

## SUPREME DLS MUSICALITY

### 10" Subwoofer

The Reference series is developed for real music lovers. Filled with innovative solutions, delivering a warm and embracing sound.

- Reference sound quality 10" subwoofer optimized for small sealed enclosures.
- Black anodized aluminium cone, die cast aluminum basket and a dual stacked premium ferrite magnet motor in perfect balance.
- Highly conductive aluminium shorting ring brings reduced inductance and distortion for a very detailed sub-bass reproduction.
- Dual 2 Ohm copper wire voice coils on non-magnetic 2" TIL former for best musicality. Versatile 1 or 4 Ohm configuration options.
- Die-cast basket with full ventilation and heavy duty push terminals for large size speaker wires.



#### SEALED ENCLOSURE

Volume	12-19L
Volume	0.459-0.671 Cu ft
Vd	1.7L (0.06 Cu ft)
F3	48-46Hz

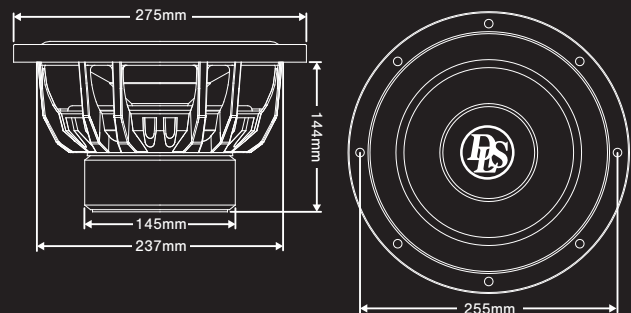
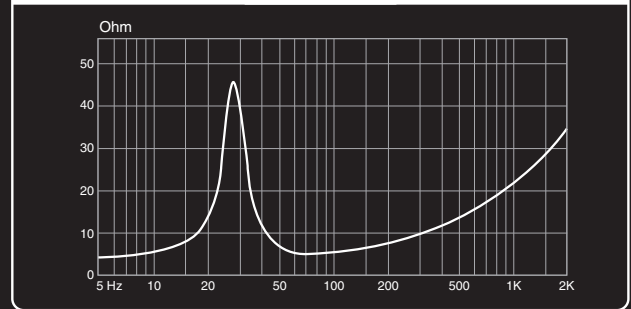
#### VENTED ENCLOSURE

DLS does not recommend putting the RSW10.D2 subwoofer in a vented enclosure.

SPECIFICATIONS	
Size	10" / 250mm
Impedance	2+2 Ohm
RMS Power	500W
MAX Power	1000W
Sensitivity	84dB 1W/1M
Voice coil size	2" / 51mm
Voice coil material	4-layer copper voice coil / TIL former
Cone material	Aluminum Aluminum dust cap
Magnet	2x40oz Ferrite Dual stacked
Frequency range	20Hz-300Hz
Weight	7.6kg

PARAMETERS	
Fs	28Hz
Re	4.4 (2.2+2.2) Ohm
Qms	5.10
Qes	0.55
Qts	0.52
Cms	0.19mm/N
Mms	168.6g
Bl	15.5
Vas	35.2L
Sd	358.7cm <sup>2</sup>
Xmax	± 9mm
Vd	1.7L

#### IMPEDANCE vs FREQUENCY



DLS Sweden, a part of Winn Scandinavia AB  
[www.facebook.com/dlsaudioofficial](https://www.facebook.com/dlsaudioofficial)  
[www.dls.se](http://www.dls.se) | [info@dls.se](mailto:info@dls.se)



# REFERENCE