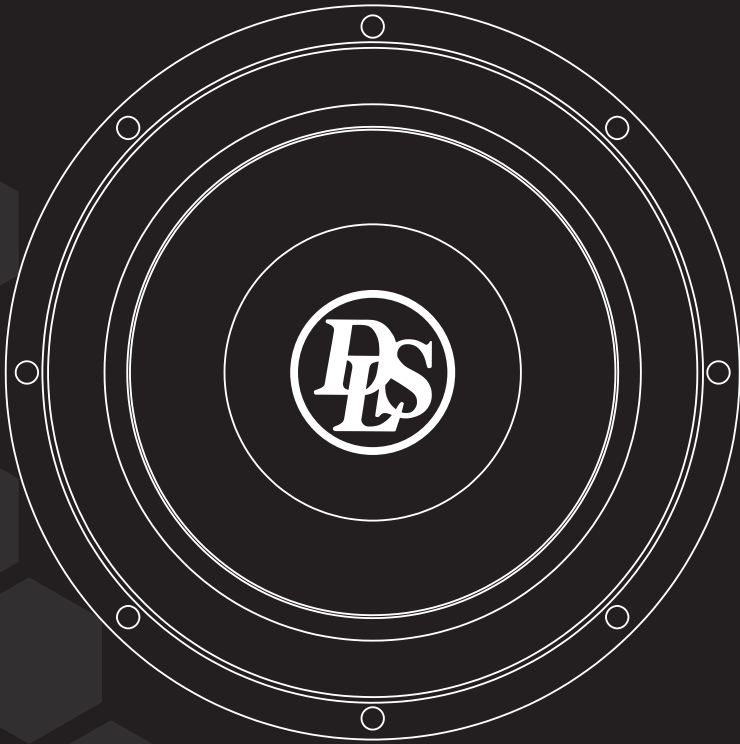


SWEDISH • AUDIO • PASSION



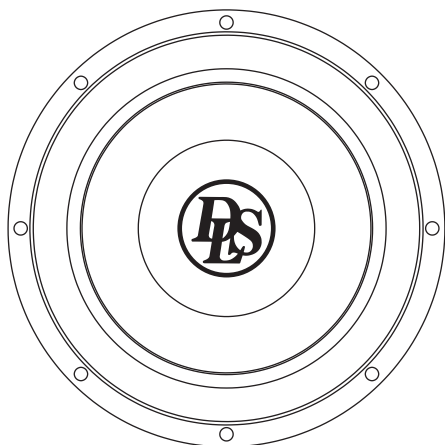
PE10.D2

User manual

10" Subwoofer



PERFORMANCE



Welcome to DLS!

Thank you for buying a DLS Performance PE10.D2 subwoofer. For us, it's all about the sound experience. We care deeply about sound and construction quality. In order for your experience to be as optimal as possible, it is important that you fully read this manual, preferably before you start your installation. Keep the manual in a safe and accessible place for future reference.

Your subwoofer must be installed correctly in order to work as intended. Make sure you have all necessary tools nearby before starting and that you are completely confident in how to proceed. If you feel the slightest uncertainty; feel free to take the help of an experienced installer or a car audio dealer.

Warranty

This subwoofer is covered by warranty, depending on the conditions in the country where it is sold. If the product is returned for service, please include the original dated receipt with the product.

DECLARATION OF CONFORMITY

DLS subwoofers for vehicles are manufactured in accordance with the EU directive EEC 95/54 (72/245/ EEC) and are marked with the approval number. They are also marked in accordance with the WEEE-directive 2012/19/EC. The products are also produced in accordance with the EU RoHS directive 2015/863/EU.

DLS PERFORMANCE

PE10.D2

Content

Welcome	1
Installation	2
Wiring diagram	2
Parallel connection	2-3
Serial connection	3-4
Serial/Parallel connection	4-5
Running-in time	6
DLS support	6
Enclosure info	6
Sealed enclosures	7
Vented enclosures	7
Damping	7
Recommended enclosures	7
Enclosure placement	8
Calculate enclosure volume	8
Specifications	9
Product markings	10

DLS products are engineered by DLS Sweden, a part of:

Winn Scandinavia AB

Elementvägen 15 - SE-702 27 Örebro - Sweden

Tel: +46 19 20 67 65 - E-mail: info@dls.se

www.dls.se

Designed & Sound tuned in Sweden.



Installation

Your PE10.D2 subwoofer has a dual 2 ohm voice coil. How to connect the subwoofer depends on what type of amplifier you use and it's optimum load. The best way to do a correct connection is to follow the instructions given in the manual for the amplifier. Most amplifiers today have built-in low pass crossover and possibilities to connect your subwoofer in bridged mode.

When designing a subwoofer system, consider the following:

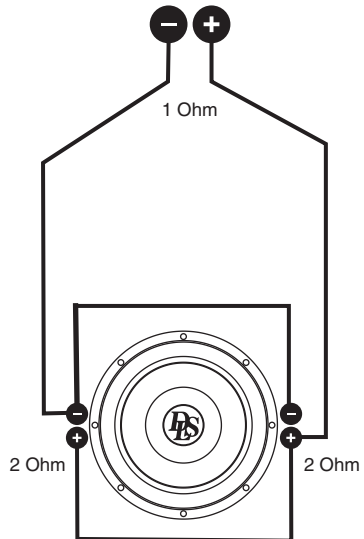
- Subwoofers being used in the same enclosure or powered by the same amplifier should be identical. **Do not** use different types of subwoofers that will play in the same frequency range.
- If you are designing a multiple subwoofer system, be sure to configure the subwoofers so that they each receive the same amount of power from the amplifier.
- **Do not** mix serial and parallel connected woofers, voice coils or pairs. If you plan to use an odd number of subwoofers, be sure to connect all the woofers in either series or parallel connection.
- For wiring, use high class speaker wires, min AWG13 (2.5 mm²).

Wiring diagram

Warning! Do not expose your amplifier to loads below the manufacturer's recommendations. Below you will find some examples of different wiring schematics. Use the following examples to determine the required impedance load of your connection.

Parallel connection

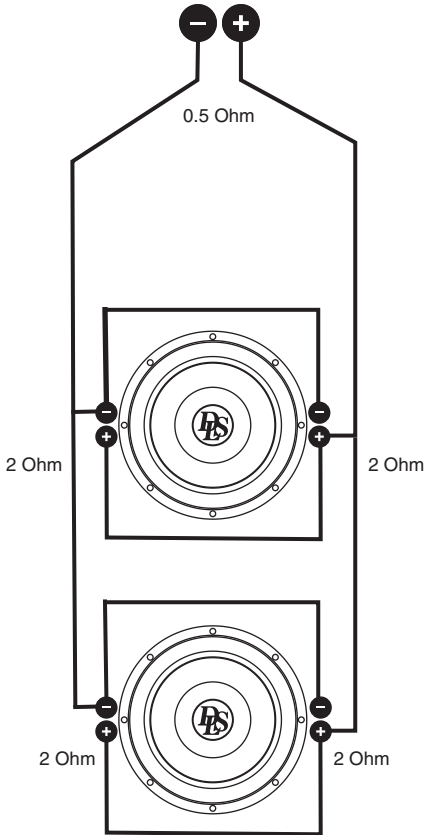
One 2 Ohm subwoofer = 1 Ohm load





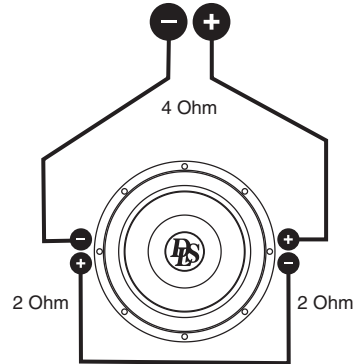
Parallel connection

Two 2 Ohm subwoofer = 0.5 Ohm load

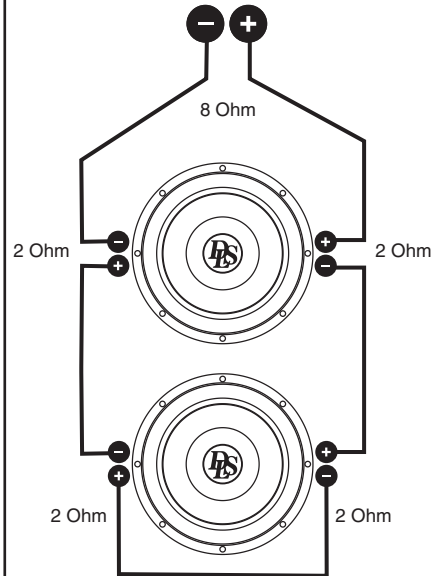


Serial connection

One 2 Ohm subwoofer = 4 Ohm load



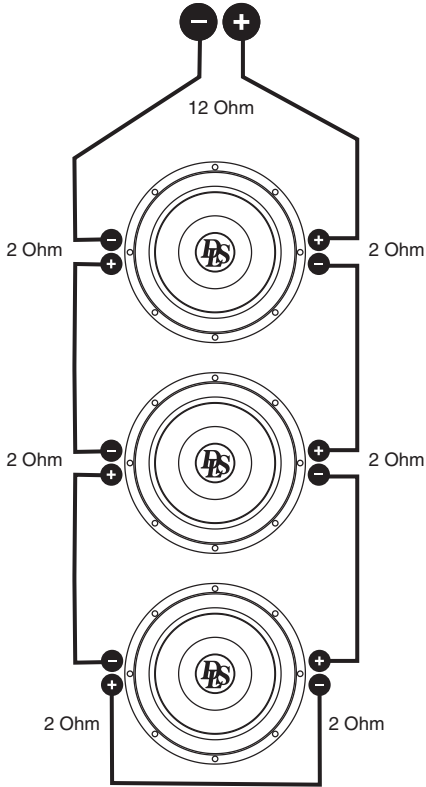
Two 2 Ohm subwoofer = 8 Ohm load





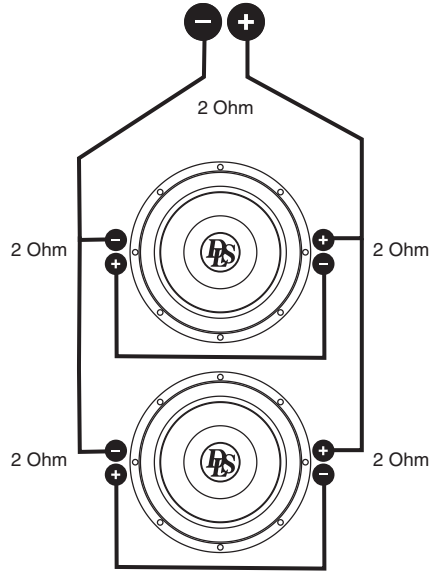
Serial connection

Three 2 Ohm subwoofer = 12 Ohm load



Serial / Parallel connection

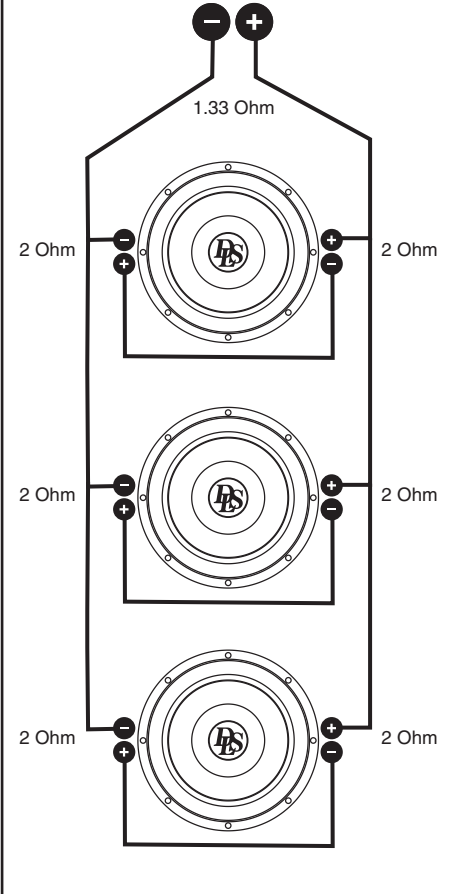
Two 2 Ohm subwoofer = 2 Ohm load





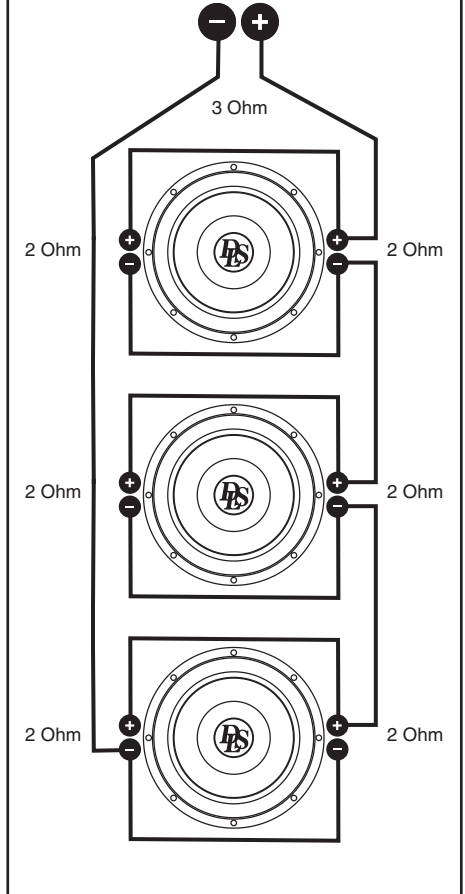
Serial / Parallel connection

Three 2 Ohm subwoofer = 1.33 Ohm load



Serial / Parallel connection

Three 2 Ohm subwoofer = 3 Ohm load





Running-in time

Allow the subwoofer to play for at least 15-20 hours in order to perform at its possible best. This run-in can be made with bass tone sweep or with just music. Start at a moderate volume and increase the volume step by step during the running-in period. After the 15-20 hour run in session the performance and characteristics will be in the correct condition.



DLS support

For technical assistance, ask your car audio dealer where the product was sold or the distributor in your country. You can always contact the DLS Helpdesk in Sweden at this e-mail: info@dls.se. Information can also be found on our WEB-site www.dls.se. We follow a policy of continuous advancement in development. For this reason, all or part of specifications and designs may be changed without prior notice.

Enclosure info

This subwoofer is normally designed for enclosure mounting. In "open air" installations the power handling capacity is reduced by more than 30% from the nominal value.

We do not recommend using an "open air" installation for the PE10.D2 subwoofer.

General

Build your enclosure in a stable and airtight material. MDF-board or particle board, 19-25mm is two good choices. Larger enclosures must have bracing inside to avoid vibrations. The enclosure must be completely airtight. Use sealing compound in all joints, also around the cable terminals. The size of the enclosure is decided and calculated by the electro-acoustic parameters of the woofer.

DLS recommends that you should choose the enclosure you will use based on the type of music you listen to, how much amplifier power you will use for the subwoofer and how much space inside the vehicle you can devote to a subwoofer enclosure.

Note! PE10.D2 has a design with "open voice coil" for improved cooling. This construction gives the best sound performance. To prevent dirt from entering the voice coil gap, follow these instructions:

- Keep the subwoofer in the plastic bag until it is time for installation.
- Carefully clean the enclosure inside with a vacuum cleaner before mounting the subwoofer.



Sealed enclosures

Sealed enclosure constructions is straight forward and are easy to build. The size is not critical, but it can't be too small. The subwoofer data such as Fs, Qts, Vas and X-max decides the size of the enclosure. A large subwoofer needs larger boxes. Two woofers need a box of the double size etc. The enclosure must be completely airtight.

A sealed enclosure provides the most control over the woofer's movement, a woofer mounted in a sealed enclosure will handle more power than a woofer mounted in a vented enclosure type.

Sealed enclosures provide more accurate sonic reproduction than other enclosure types when mounted inside a vehicle, so they are well suited to all types of music. An optimum sealed enclosure is always smaller than vented enclosures optimized for a particular subwoofer, so they require the smallest amount of space inside the vehicle.

Vented enclosures

Vented enclosures are built in the same way as sealed but with a vent hole (port), normally on the front panel.

Vented enclosures provide normally a better efficiency in the 40-50Hz range, but this efficiency comes at the expense of sound in the lowest octave (normally below

40Hz), and at the expense of some control and power handling at the lowest frequencies (below the ports tuning frequency). If you are using a small amplifier a vented box will provide more perceived bass output from less power. Vented enclosures are also well suited to a variety of music types.

Vented enclosures require more of the builder and the volume and port must be built more exactly to the specifications. An optimum vented enclosure is always larger than the optimum sealed box for the same woofer and will require more space inside the vehicle.

Damping

Most enclosures should be damped inside with synthetic (acoustic) wool or damping mat (line). In a sealed box we recommend the use of damping wool and should be filled with acoustic wool up to 75%.

In a vented enclosure attach the damping material on the wall opposite from the subwoofer and port. If you require more damping it's also possible to add sides and top/bottom. Do not place any damping material in the port or at its openings.

Recommended enclosures

The recommended enclosure volume refers to the inner volume and includes the driver displacement volume.

Type	Volume	F3	Fb	Vd	Vp	Port
Sealed	12-20L* 0.424 - 0.706Cu ft	54-51Hz	-	1.5L 0.053Cu ft	-	-
Vented	27L** 0.989Cu ft	38.4Hz	43Hz	1.5L 0.053Cu ft	1.1L 0.039Cu ft	D: 3" / 75mm L: 8.66" / 220mm

*Volume including Vd (Driver volume)

**Volume including Vd (Driver volume) and Vp(Port Volume)



Note! The performance of the recommended enclosures will vary from vehicle to vehicle. It is more difficult to get a tight and well defined bass in a SEDAN vehicle because of the separated space between the trunk and the passenger compartment.

Enclosure placement

In smaller vehicles of different models (like a VW Golf, Peugeot 206, 306, etc. the enclosure should be installed with the subwoofer directed backwards or directed upwards. This way of mounting is valid for all types of vehicles where the trunk is incorporated with the inner compartment.

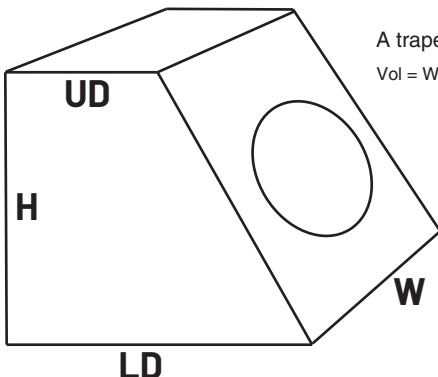
In sedan vehicles where the passenger

compartment is separated from the trunk, one option is to install enclosure with the subwoofer directed towards the rear seat. Some cars have an opening in the middle of the rear seat for storage. You can install the enclosure behind this opening and direct speaker through this opening. Be sure you seal the sides of the enclosure with additional covering so no pressure will slip between the opening and your subwoofer and into the trunk area. The floor and sides in the trunk area can also be good alternatives for the enclosure placement.

In large vehicles like station wagons the best sound is achieved with the enclosure installed behind the rear seat with subwoofer directed backwards. You can also install the enclosure on one side of the luggage compartment.

Calculate enclosure volume

When calculating the inner volume of an enclosure you just multiply the width (W) x height (H) x depth (D). Use measures in dm and you will get the answer in liters.



A trapezoid box is calculated as this:

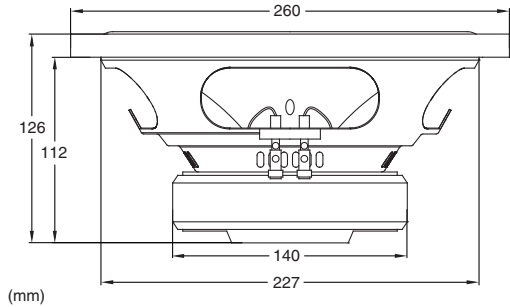
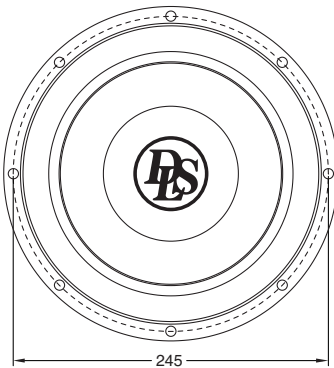
$$\text{Vol} = \text{Width}(W) \times \text{Height}(H) \times \frac{(\text{Upper depth}(UD) + \text{Lower depth}(LD))}{2}$$



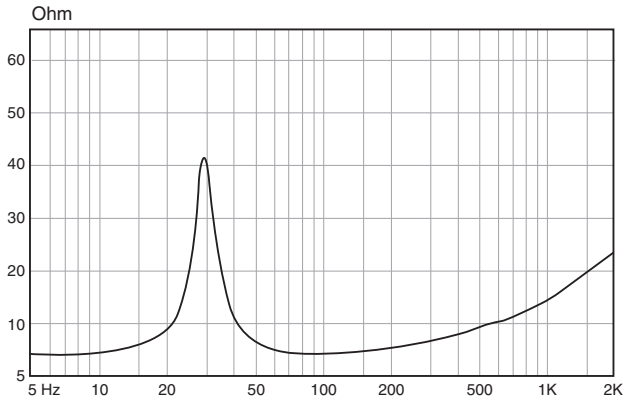
Specifications

Art no: CS-PE10.D2
Size: 10" / 250mm
Impedance: 2+2 Ohm
RMS power: 300W
MAX power: 600W
PEAK power: 900W
Sensitivity: 86dB 1W/1M
Voice coil size: 2" / 51mm
Voice coil material: 4-layer copper voice coil / Kapton former
Cone material: Coated non pressed paper / PP dust cap
Magnet: 45oz ferrite
Freq. range: 20Hz-300Hz
Weight: 4.5kg

Electro-Acoustic Parameters
Fs: 29Hz
Re: 3.8 (1.9+1.9) Ohm
Qms: 6.42
Qes: 0.50
Qts: 0.47
Cms: 0.23mm/N
Mms: 98.4g
Bl: 12.9
Vas: 45L
Sd: 359.7cm²
Xmax: ± 9mm
Vd: 1.5L



Impedance vs Frequency





Product markings



The crossed-out wheellie bin symbol means that the product, literature and packaging included must be taken to separate collection at the end of their working life. Do not dispose of these products as unsorted municipal waste: take them for recycling. For info on your nearest recycling point, check with your local waste authority.



This product has been granted with the CE certification mark to show that the product follows the health, safety, and environmental protection standards for products sold within the European Economic Area (EEA).



DLS products complies with the relevant provisions of the RoHS Directive for the European Union. In common with all Electrical and Electronic Equipment (EEE) the product should not be disposed of as household waste. Alternative arrangements may apply in other jurisdictions.



DLS is a global partner of the European Mobile Media Association, an organisation that focus on promoting the custom made mobile media installations to consumers.

We follow a policy of continuous advancement in development. For this reason all or part of specifications & designs may be changed without prior notice. We reserve for possible typos, factual or numeric errors that may have been printed on any products, package designs, user manuals and/or other included accessories.



PERFORMANCE