

# RC3C

## CLASSIC DLS MUSICALITY

### 3" Midrange Component

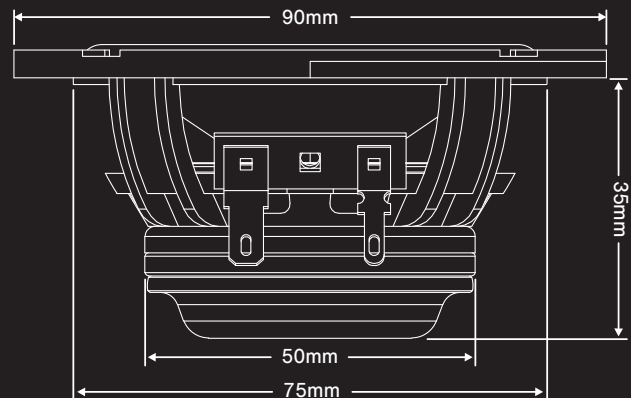
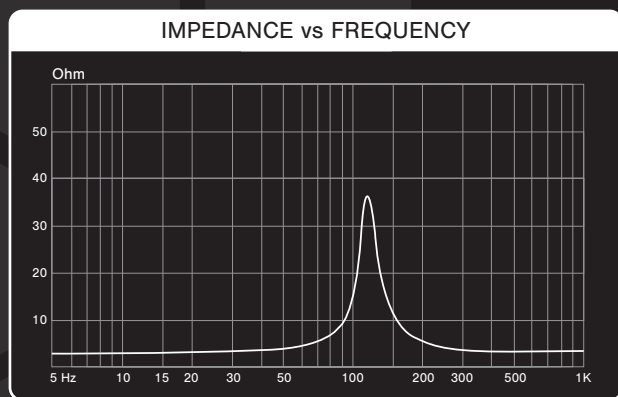
The Reference series is developed for real music lovers. Filled with innovative solutions, delivering a warm and embracing sound.

- Reference classic midrange component
- Natural voicing 3" woofer with coated wood fibre cone
- Rubber dust cap, minimize cone breakup & resonance
- Nomex® / NBR components for low distortion
- Copper shorting cap improves distortion and inductance performance
- Non-magnetic Kapton® / copper wire voice coil
- Optimized high grade neo magnet
- Ventilation solution with increased heat transfer
- Anti-resonating aluminium basket
- Hex grills included



| SPECIFICATIONS |              |
|----------------|--------------|
| Woofer         | 3" / 70mm    |
| Power RMS      | 50W          |
| Power MAX      | 100W         |
| Impedance      | 4 Ohm        |
| Sensitivity    | 85.4dB 1W/1M |
| Freq.range     | 100-12000Hz  |

| ELECTRO-ACOUSTIC PARAMETERS |                   |
|-----------------------------|-------------------|
| Midrange component          |                   |
| Re                          | 3.0 Ohm           |
| Fs                          | 115Hz             |
| Mms                         | 3.1gr             |
| Cms                         | 0.62              |
| Vas                         | 0.8L              |
| Qts                         | 0.52              |
| Qes                         | 0.57              |
| Qms                         | 6.31              |
| Bl                          | 3.4T.m            |
| SPL                         | 85.4 1dB 1W/1M    |
| Sd                          | 31cm <sup>2</sup> |



DLS Sweden, a part of Winn Scandinavia AB  
[www.facebook.com/dlsaudioofficial](https://www.facebook.com/dlsaudioofficial)  
[www.dls.se](http://www.dls.se) | [info@dls.se](mailto:info@dls.se)



# REFERENCE