



DLS REFERENCE SPEAKERS OWNERS MANUAL

RC6.3Q-40
3-way
kit

Welcome

Thank you for buying a DLS RC6.3Q-40 speaker system. This model is a part of DLS Reference line.

This manual will show you how to do a correct installation. Please read the entire manual before beginning the installation. Install the speakers yourself if you feel confident with our instructions and if you have the proper tools.

A poor installation job can destroy the final result even from these fine speakers. So if you feel unsure, turn over the installation job to someone better suited to it.

Installation

Speaker drivers:

Mount the bass speakers in the door sides of your car. We strongly recommend you to install the drivers in a strong baffle of MDF-board or similar. For baffle installation see our advice on next page. An installation high up on the door side is to be preferred. The 2,5" midrange driver should also be installed high up on the A-pillar or in the door.

The tweeter can be installed recessed in the door or A-pillar. It is important to fasten the speakers properly in order to avoid bad sound or rattling, a separate baffle will improve the sound also for the tweeter.

Filter boxes:

It's vital that the filter boxes are attached properly to the interior of the vehicle to avoid rattling. Don't place them close to the internal wiring of the car, this can cause interference. Avoid installing the filter boxes in the door sides because they can easily be broken because of rattling or moisture.

Wiring:

Use high quality speaker cables. Avoid using the factory pre-installed cabling, they will not give the sound reproduction that you should expect from these high class speakers. Make sure the cables don't get jammed causing a short circuit to ground. This can damage the output circuits of your head unit or amplifier.

Three-way system RC6.3Q-40

The 3-way system have a separate 25 mm tweeter, RC25, and a 2,5" midrange, UPI2,5, playing together with a 6,5" woofer.

Crossover boxes

RC6.3Q-40 has a two crossover boxes, one for each channel. On next page you can see how to connect the filters.

The filters must be used, if you connect without them the sound becomes bad and you will destroy the tweeter. You don't have to use the passive crossover if the system is connected to separate amplifiers using active crossover.

Break-in period

Allow the speakers to play at normal volume for at least 15-20 hours. After this time the performance will be correct.

Connection of speakers

Make sure you connect the cables with correct polarity to the speakers. Observe the markings on the terminals. The red marked terminal is plus and the black is minus.

Speaker phasing

To be sure to have the correct speaker polarity (phase) you can check this by using a 1,5 Volt battery. Connect a cable from the battery plus-pole to the speaker plus, and a cable from the battery minus to the speaker minus. If the speakers are correctly connected the speaker cone should move outwards on both right and left channel. This check must be made on the cables going from the speakers, to the output terminals of your car stereo or amplifier.

Warranty service

This speaker is covered by warranty, depending on the conditions in the country where it is sold. If the speaker is returned for service, please include the original dated receipt (or a copy) with the product.

Technical Assistance

For technical assistance ask the shop where the product was sold or the distributor in your country.

You can also send an e-mail to info@dls.se

Information can also be found on our web-site www.dls.se
We follow a policy of continuous advancement in development. For this reason all or part of specifications & designs may be changed without prior notice.

DLS Svenska AB
Tagenevägen 11B
SE-42259 Hisings Backa, Sweden
Tel: +46 31 840060
E-mail: info@dls.se
www.dls.se

Facts DLS RC6.3Q-40 woofer

Art.no, driver	CK-RC6.3Q-40
Size	165 mm / 6,5"
Impedance	4 ohm
Nom. power	100 Watts RMS
Max. power	150 Watts max
Freq. range	40Hz-5 kHz
Sensitivity	85 dB
Fs	64,2 Hz
Qts	0,79
Vas	6,3 litres
Cone material	Non press paper
Magnet size	100 mm / 4"
Installation hole	145 mm / 5,7"
Inst. depth	68 mm / 2,3"

Facts DLS UPi2,5 mid

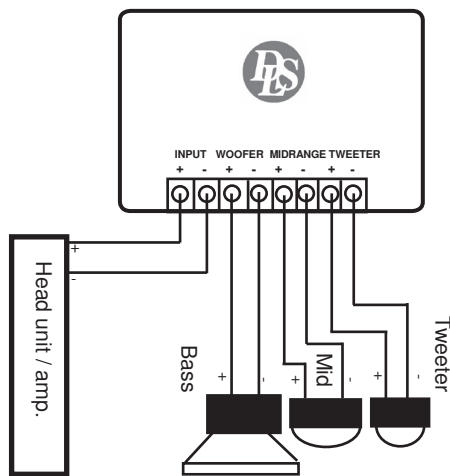
Size	2,5" / 63 mm
Impedance	4 ohm
Nom. power	90 Watts RMS
Max power	150 Watts max
Freq. range	500 Hz - 8 kHz
Sensitivity	90 dB
Fs	630 Hz
Overall dimensions	100 mm / 4"
Magnet size	60 mm / 2,36"
Mounting depth	29 mm / 1,14"
Mounting hole	80 mm / 3,15"
Cone material	Coated textile dome

Facts DLS RC25 tweeter

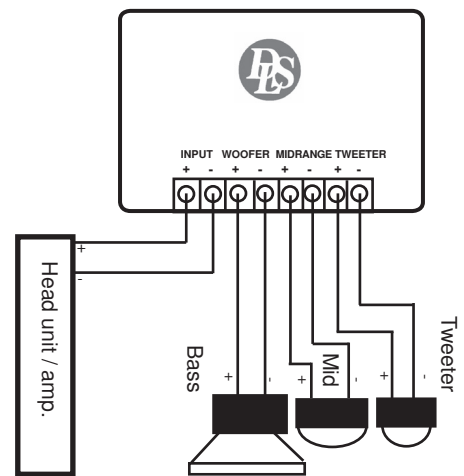
Size	28 mm
Impedance	4 ohm
Nom. power	50 Watts RMS
Max power	80 Watts max
Freq. range	1,5 kHz-22 kHz
Sensitivity	93 dB
Fs	1500 Hz
Magnet size	30 mm / 1,18"
Mounting depth	20 mm / 0,8"
Mounting hole	46 mm / 1,81"
Cone material	Hand treated fabric

Filter installation and connection of RC6.3Q-40, 3-way speaker system

Left woofer midrange & tweeter

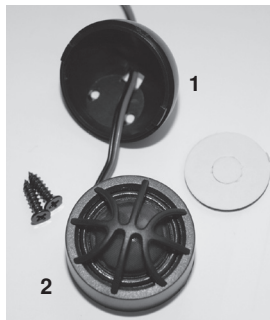


Right woofer midrange & tweeter



Installation of tweeter RC25

RC25 can be mounted on the dashboard with the angled cup (1) cup, or recessed in a door side.

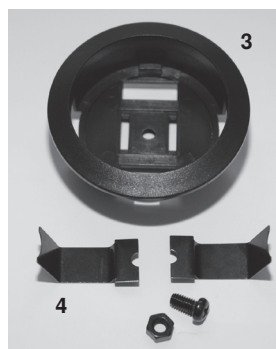


Surface mounting:

Angled mounting: Put the cable through the hole in the rear end of the angled cup. The tweeter (2) is attached to the cup by putting them together and turn clockwise. Attach the cup to the surface with the double adhesive tape.

Recessed mounting:

You need a hole with a diameter of 46 mm / 1,81". Put the two metal wings (4) through the two tracks in the center of the cup (3), just as the picture shows, and attach them with the M4 screw and nut through the center hole. The cup is attached to the door side when the metal wings is pressed to the back side of the door. Put the tweeter driver into the cup with the cable going out through the bottom hole. The tweeter (2) is attached to the cup by putting the tweeter into the cup and turn clockwise.



Installation of 6,5" driver in baffles:

It is very important that the baffle is stable, but it is just as important that it is shaped in a way that allows the driver to "breathe" backwards, otherwise there will be a lack in the drivers bass reproduction.

